

JEEP AXLE CATALOG CORRECTIONS

AXL-PNI-35
PART NUMBER

DATE: April 15, 1997

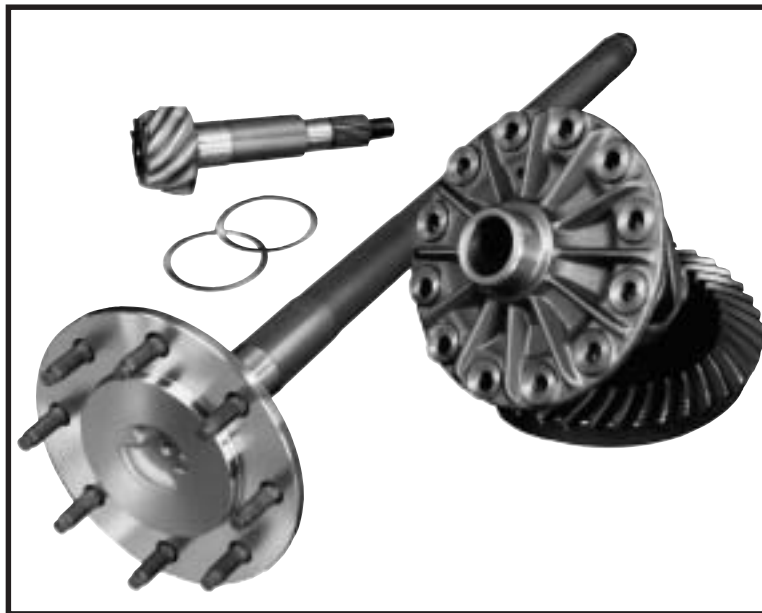
TO: All Spicer® Light Axle Distributors

Spicer Light Axle Parts catalog for Jeep, X510-6DSD, dated January 1997, contains a misprint. Please make the following change to your catalog. Pages 5 through 12 (Model 30 front) has a note that states, "Base number ring & pinion kits 706930 and 707300 are reverse spiral bevel." This is incorrect. Only the 706930 base number kits are reverse spiral bevel. The 707300 base number kits are standard rotation sets.

Spicer part numbers 707300 -2X, -3X, -4X, and -5X are listed in the catalog. Currently, only -3X, -4X, and -5X are available to the aftermarket.



Joe Hoppe
Product Manager
Spicer Light Axle Products



X510-6
February, 2006

Supersedes X510-6DSD
dated June 2000

Revision Log

3/16/06 - Part Number Corrections on Page 17

3/24/06 - Corrected items contained in Carrier Cover Kit on Page 15

3/30/06 - Removed all 2002 WJ Super 30 Front Bills of Material - were never released

9/13/07 - Corrections on pages 31, 44, 45 and 50



SAFETY INFORMATION



WARNING - Failure to follow these instructions could affect vehicle performance and/or safety and result in personal injury or death.

- Do not convert or alter Spicer axles except in accordance with vehicle manufacturer's instructions.

Spicer axles are designed to meet OEM vehicle manufacturer's design and performance specifications. Improper conversion or alteration of these axles can damage the axles and/or other vehicle systems. Contact the OEM manufacturer for specific directions and guidelines.

- Do not change axle gear ratios on vehicles with anti-lock braking systems except in accordance with the vehicle manufacturer's instructions.

Vehicles with anti-lock braking systems may utilize sensors and tone rings within the axle housings to ensure the functioning of the anti-lock brakes. Improperly changing the axle ratios may defeat the anti-lock braking system. If changing axle ratios will require changing the location of the tone ring on the ring gear flange relative to the location of the sensor in the axle housing, contact the OEM manufacturer for specific directions and guidelines.

- Do not reuse or substitute ring gear bolts.

If you reuse a ring gear bolt or substitute an inferior quality bolt, the bolt may loosen or back out of its threaded hole, causing severe damage to the axle gears and other components and possibly resulting in a sudden "locking up" of the axle and loss of control of the vehicle. Always use new bolts specifically recommended for the application and install bolts using proper tools and torquing to the proper specifications.



CAUTION - Do not substitute parts not of Spicer quality.

Spicer axles are designed for each model vehicle, and manufactured and tested for safety and best performance. Replacement parts from other manufacturers may not be made to Spicer's rigid quality standards. To be sure you're getting Spicer quality, always use genuine Spicer parts.



This symbol warns of possible personal injury.

How to Use This Catalog	2		
General Information	4		
Model 30 /181 Front		Model 35 /194 Rear	
X1 & XJ (Cherokee)		TJ (Wrangler)	
Exploded View & Parts Listing	8	WJ (Grand Cherokee)	
Bill of Material Table	10	X1 & XJ (Cherokee /Comanche)	
Variable Parts Table	12	Exploded View & Parts Listing	38
Model 30 /181 Front with Collapsible Spacer		Bill of Material Table	40
XJ (Cherokee)		Variable Parts Table	42
TJ (Wrangler)		Model Super 35 /198 Rear	
Exploded View & Parts Listing	14	WJ (Grand Cherokee)	
Bill of Material Table	16	XJ (Cherokee /Comanche)	
Variable Parts Table	18	Exploded View & Parts Listing	44
Model Super 30 /186 Front		Bill of Material Table	45
X1 & XJ (Cherokee /Comanche)		Model 44 /216 Rear	
Exploded View & Parts Listing	20	TJ (Wrangler)	
Bill of Material Table	22	Exploded View & Parts Listing	48
Variable Parts Table	26	Bill of Material Table	50
KJ (Liberty)		Variable Parts Table	52
Exploded View & Parts Listing	30	Model Super 44 /226 Rear	
Bill of Material Table	32	WJ (Grand Cherokee)	
Variable Parts Table	32	Exploded View & Parts Listing	58
Model 44 /216 Front		Bill of Material Table	60
TJ (Wrangler)		Variable Parts Table	61
Exploded View & Parts Listing	34	Shim Table	62
Bill of Material Table	36		

How to Use This Catalog

This catalog contains applications and part listings for front and rear axles which fit vehicles from model years 1999-2005. For information on model years between 1967-1978, please refer to catalog X510-8DSD; Jeep model years 1979-1999 refer to X510-9. For miscellaneous models from years 1979-1984, please refer to X510-7DSD.

The data in this publication is arranged by make, then in numerical order by model for front axles and then for rear axles. Each model contains the following three sections as appropriate:

- Parts Listing and Exploded View**

This section contains an exploded view of the axle and lists all the part numbers for those parts illustrated. The parts that do not have a common part number have a footnote reference indicating where to find the correct part number for each Bill of Material.

X510-6

Jeep Model Super 30 /186 Front Parts Listing



ITEM NO.	PART NUMBER	DESCRIPTION	ITEM NO.	PART NUMBER	DESCRIPTION
1	-(3)	Housing - Axle Service	25	33213	Gear - Differential
2	-(1)	Drive Pinion & Gear Assembly	26	34096	Thrustwasher - Diff Pinion
3	49634	Slinger - Variable Thicknesses	27	40027	Thrustwasher - Diff Gear
	80614	PKG - Diff & Pinion Shim (inc 3,20)	28	41646	Shaft - Differential
4	706015X	KIT - Inner Pinion Bearing	29	13449	Lock - Differential Shaft
5	50576	Collapsible Spacer	30	46470	Seal - Oil

- Bill of Material Table**

This section contains vehicle applications listed in order by year. Included in the table are the major kits and assemblies for each Bill of Material number.

X510-6


Jeep Model Super 30 /186 Front Bill of Material Table



Bill of Material	Axle Diff. Type	Ratio	Ring Gear & Pinion Kit ⁽¹⁾	Axle Kits			Shaft & Joint Assy.	
				Case Assy. Kit ⁽²⁾	Case Kit	Inner Parts Kit	Right Hand Shaft Assy.	Left Hand Shaft Assy.
2000 WJ CV w/ABS (Continued)								
610949	Hydra Lok	3.73	76386-5X	76739X	-	-	027WD06003-3	027WD06003-4
610951	Hydra Lok	3.91	80177-5	76739X	-	-	027WD06003-3	027WD06003-4
610952	Standard	3.91	80177-5	707159-1X	706008-2X	707160X	027WD06003-1	027WD06003-2
610953	Hydra Lok	3.91	80177-5	76739X	-	-	027WD06003-3	027WD06003-4
611007-1	Standard	3.55	76386-5X	707159-1X	706007-1X	707160X	027WD06003-1	027WD06003-2

- Variable Parts Table

This section contains the individual part numbers that vary by Bill of Material number for a given model.

X510-6		Jeep Model Super 30 /186 Front Variable Parts Listing					
Kits & Parts - Use With All Applications							
Description & Item Number (Refer to the "Exploded View" at the front of this section)			Bills of Material				
			610733 610734	610735	610742	610862	610863
1	Seal - Pinion Oil	8	47761	47761	47761	47761	47761
2	End Yoke/Companion Flange Assy	10	52917	52917	52917	52917	52917
3	Dust Slinger	39	-	46849	-	-	46849
4	Hub Assembly	42	47821	47821	47821	49944	49944

Note: Additional information on Spicer axles can be found in our General Information catalog number XGI. It contains the following sections:

- Bill of Material Numerical Listing
- Ring and Pinion Kits
- Differential Case Assembly Kits
- Axle Shaft Dimension and Components

General Information

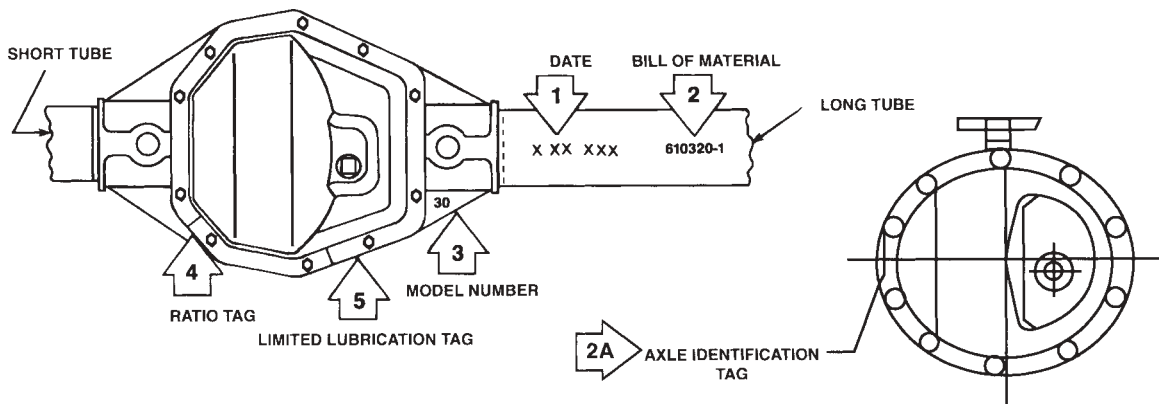
How To Identify A Spicer Axle

All Spicer Carrier Type axles are identified with a manufacturing date (1) and Bill of Material number (2) stamped on the right or left hand tube on driving axles. The Bill of Material number may also be found on the carrier in some models as shown in illustration (2A). For independent front suspension (IFS) axles, the B/M number may be located at one of three locations: 1). A vertically positioned tag near the center of the right hand side support arm, 2) stamped into the left hand side support arm (opposite end of the camber adjuster), or 3) stamped into the "nose end" of the axle carrier. The location of the information will depend on the manufacturing date of the axle.

The axle model number will be cast into one of the webs as shown (3), or it can be on the nose.

Each axle contains a gear ratio tag (4), and if the axle is equipped with a limited slip differential, it will have a tag specifying the type of limited slip lubricant to be used (5).

Refer to the appropriate model number section for parts identification and a breakdown of the Bill of Material.



How To Change Gear Ratios

To increase or decrease a gear ratio, there are certain steps that must be taken. The differential case depends upon the ratio desired. For each axle model, there is a high-ratio and a low-ratio case as illustrated below:

Axle Model	Low Ratio Case	High Ratio Case	Axle Model	Low Ratio Case	High Ratio Case
Model 27	3.73 and Down	3.92 and Up	Model 50	4.10 and Down	—
Model 28	3.45 and Down	3.73 and Up	Model 60	4.10 and Down	4.56 and Up
Model 28 IFS Aerostar	2.27, 3.73	—	Model 61	Semi Float 3.00 and 3.07 only	
Model 30	3.55 and Down	3.73 and Up	Model 61	Full Float 3.31 and Down 3.54 and Up	
Model 35	2.35 only	—	Model 70	4.10 and Down	4.56 and Up
Model 35	2.73 - 3.31	3.54 and Up	Model 70-3HD	3.42 and Down	3.73 and Up
Model 36 ICA	2.73 and Down	3.07 and Up	Model 70-2UA	3.07 only	—
Model 44	3.73 and Down	3.92 and Up	Model 80	3.73 and Down	4.10 and Up
Model 44 ICA					
1984 & earlier	3.73 and Down	3.92 and Up			
Model 44 ICA					
1985 & later	2.87 and Down	3.07 and Up			

Example - If you have a model 44 Rear Axle with a 3.54 ratio and wish to change to a 3.73 ratio, you change only the ring gear and pinion assembly. If you change the ratio to a 4.09, you must change to a high-ratio case in addition to changing the ring gear and pinion. The application section will show you what case to use. When the vehicle is equipped with both front and rear driving axles, the gear ratios must be the same in both axles. The drive gear screws are self-locking and must be replaced with new screws each time that they are removed.

How Limited Slip Differentials Operate

A conventional differential transmits all the ring gear torque through the differential gears to the axle shafts. Torque is at all times equal on the axle shafts, and if one wheel slips, the other wheel can only put out as much torque as the slipping wheel.

The Spicer Limited Slip differential has the same power flow as a conventional differential, plus a more direct flow which automatically takes effect as driving conditions demand. This more direct power flow is from the differential case to each axle shaft through a clutch plate and disc arrangement.

Arrangement of these plates and discs is at the option of the vehicle manufacturer, so care should be taken during disassembly to note the arrangement of these components.

The Limited Slip construction permits differential action when required for turning corners and transmits equal torque to both wheels when driving straight ahead. However, when one wheel tries to spin due to leaving the ground, a patch of ice, etc., the clutch packs automatically provide more torque to the wheel which is not trying to spin.

The Limited Slip differential resists wheel spin on bumpy roads and provides more pulling power when one wheel tries to slip. In many cases of differences in traction, pulling power will be automatically provided until both wheels start to slip.

In diagnosis of vehicle operators' complaints, it is important to recognize two things.

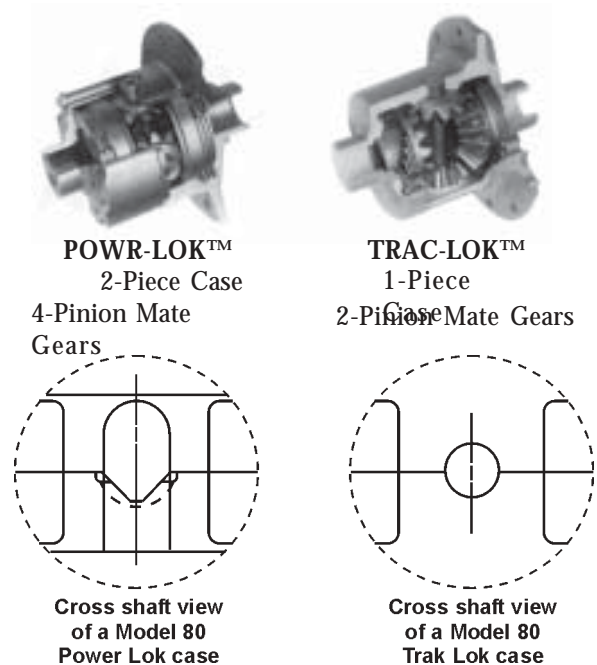
1. If, with unequal traction, both wheels slip, the Limited Slip Differential has done all it can possibly do.
2. In extreme cases of differences in traction, the wheel with the least traction may spin after the Limited Slip has transferred as much torque as possible to the non-slipping wheel.

How To Distinguish a Powr-Lok™ from a Trac-Lok™

All Models **except Model 80 /286**: The Powr-Lok design is identified by its 2-piece case. The Trac-Lok design is identified by its 1-piece case.

Model 80 /286 only: Both the Powr-Lok and the Trac-Lok use 2-piece cases in the model 80 (286) axle. The difference between the two is in the shape of the holes for the cross shaft. The Powr-Lok case will have cross shaft holes that are "U" shaped in one case half and "V" shaped in the other case half. The Trac-Lok case will have cross shaft holes that are semicircles in both case halves.

It is also possible to replace an existing Powr-Lok unit with a complete Trac-Lok unit. For this purpose, the differential case assembly must be replaced.



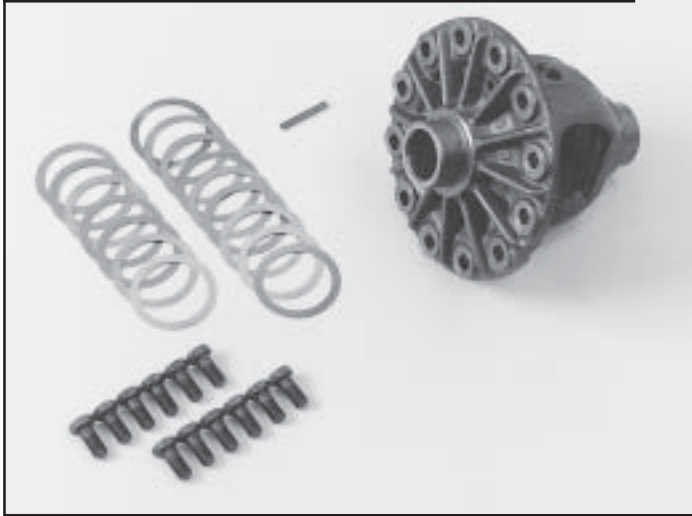
How To Obtain Special Service Tools

Special service tools (see service manuals) can be obtained from the following company:

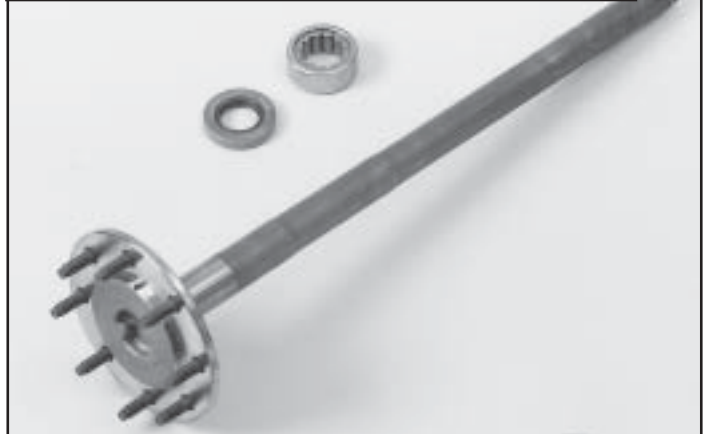
Kent-Moore
 OE Tool and Equipment Group
 SPX Corporation
 28635 Mound Road
 Warren MI 48092-3499
 (800) 345-2233

Light Axle Kits

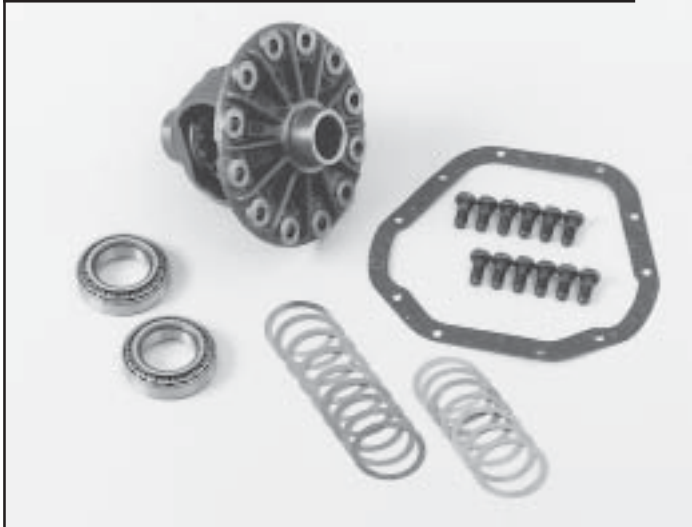
DIFFERENTIAL CASE KIT



SHAFT ASSEMBLY KIT



DIFFERENTIAL CASE ASSEMBLY KIT



DRIVE PINION & GEAR ASSEMBLY KIT



CARRIER COVER KIT



DIFFERENTIAL INNER PARTS KIT

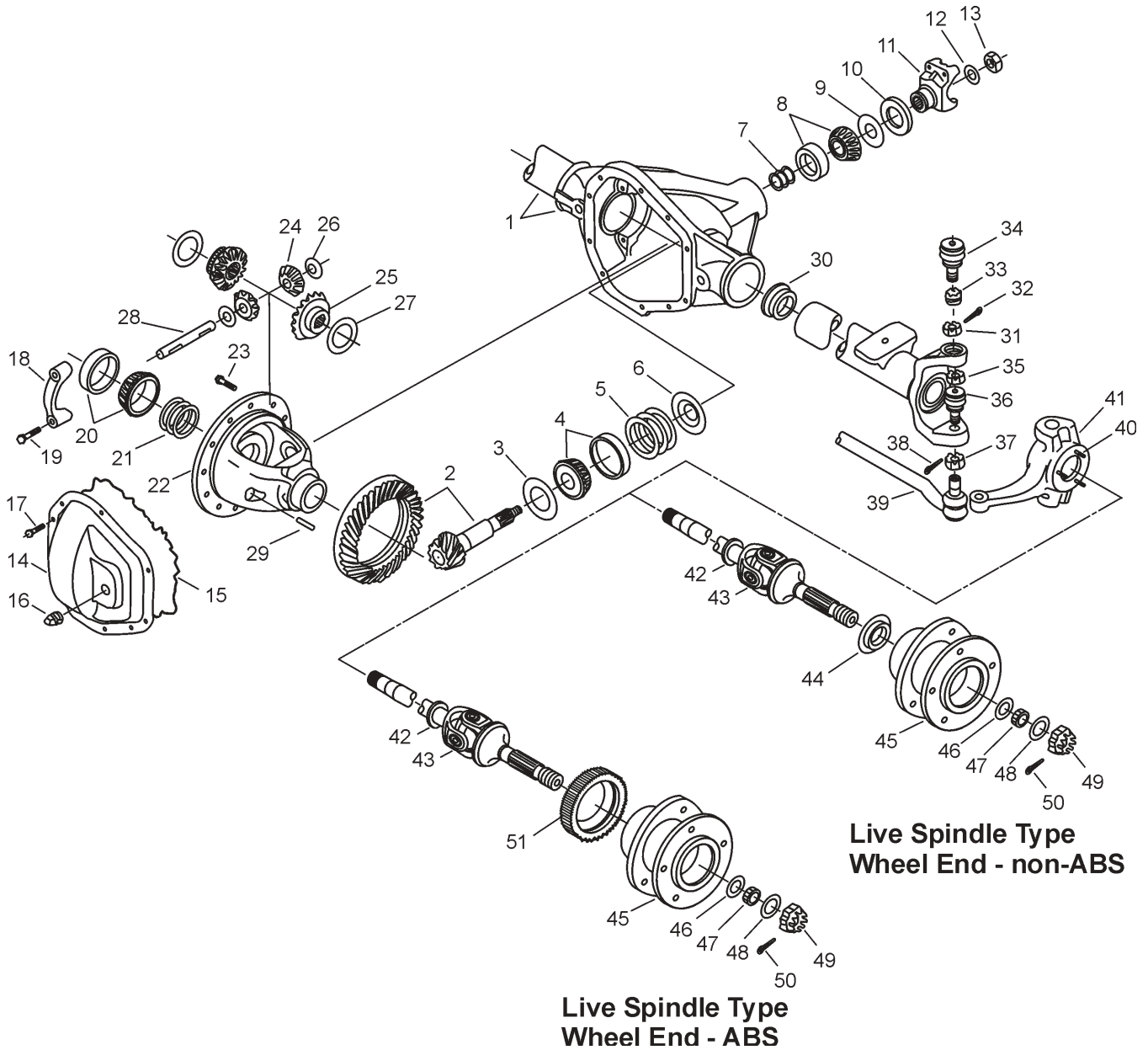


Jeep 1999-2001

Model 30 /181 Front Axles for

X1 & XJ (Cherokee)

Jeep Model 30 /181 Front Exploded View



Jeep Model 30 /181 Front Parts Listing

ITEM NO.	PART NUMBER	DESCRIPTION	ITEM NO.	PART NUMBER	DESCRIPTION
1	-(3)	Housing - Axle Service	22	-(1)	Case - Differential (std)
2	-(1)	Drive Pinion & Gear Assembly	23	41221	Bolt - Drive Gear (qty 10)
3	30764	Slinger - Inner Pinion Bearing	24	32926	Pinion - Differential (std)
4	706015X	KIT - Inner Pinion Bearing	25	33213	Gear - Differential (std)
	706938X	PKG - Differential & Pinion Shim (inc items 5, 7, 12, 15, 21)	26	34096	Thrustwasher - Diff Pinion (std)
	706936X	PKG - Pinion Bearing Shim (inc items 5, 7, 12, 15)	27	40027	Thrustwasher - Diff Gear (std)
5	-	Inner Pinion Shims (See Pkgs - 706938X & 706936X)	28	41648	Shaft - Differential (std)
6	32349	Baffle - Pinion Bearing	29	13449	Lock - Differential Shaft
7	-	Outer Pinion Bearing Shims (See Pkgs - 706938X & 706936X)	30	46470	Oil Seal
8	706030X	KIT - Outer Pinion Bearing		706944X	KIT - Socket Assembly
9	13575	Slinger - Outer Pinion Bearing	31	43682	Slotted Nut
10	-(2)	Seal - Pinion Oil	32	500024-6	Cotter Pin
11	2-4-6561-1	End Yoke	33	40586	Adjusting Split Ring
12	30186	Washer - Pinion Nut	34	40583	Socket Assembly
13	30185	Pinion Nut	35	40584	Nut - Hex Jam / Slotted
	707180X	KIT - Carrier Cover (inc items 14, 15, 16, 17)	36	40916	Socket Assembly
14	40869	Carrier Cover	37	-(3)	Nut - Hex Slotted
15	38615	RTV Silicone Sealant	38	-(3)	Cotter Pin
16	43180	Plug - Carrier Cover	39	-(3)	Tie Rod Assembly
17	34279	Bolt - Carrier Cover (qty 10)	40	41027	Bolt - Knuckle
18	-(3)	Differential Bearing Cap	41	-(3)	Right / Left Knuckle
19	48631-1	Bolt - Differential Bearing Cap	42	46849	Slinger - Spindle Yoke (Inner)
20	706016X	KIT - Differential Bearing	43	-(1)	Shaft & Joint Assembly
21	-	Differential Bearing Shims (See Pkg 706937X)	44	46988	Slinger - Spindle Yoke (Outer) (non-ABS only)
	706937X	PKG - Differential Bearing Shim (inc items 15, 21)	45	-(3)	Hub Assembly
			46	40596	Washer - Flat
			47	40597	Nut - Hex
			48	45749	Spring - Wave Washer
			49	40598	Nut - Retainer
			50	500025-10	Cotter Pin
			51	44646	Tone Ring (ABS only)

- (1) See "Bill of Material Table" on next page
(2) See "Variable Parts Table" within this section
(3) Contact Vehicle Manufacturer
(4) Not Sold Separately

Jeep Model 30 /181 Front Bill of Material Table

Axle			Axle Kits				Shaft & Joint Assy.	
Bill of Material	Diff. Type	Ratio	Ring Gear & Pinion Kit ⁽⁷⁾	Differential			Right Hand Shaft Assy.	Left Hand Shaft Assy.
				Case Assy. Kit ⁽⁸⁾	Case Kit	Inner Parts Kit		
1999 XJ Non-Disconnect - Live Spindle Wheel End								
610869-1	Standard	3.07	706930-2X	2002913	706933X	707160X	75814-2X	75814-1X
610869-2	Standard	3.55	706930-8X	2002913	706933X	707160X	75814-2X	75814-1X
610869-3	Standard	4.10	706930-4X	707159X	706934X	707160X	75814-2X	75814-1X
1999 XJ Non-Disconnect, w/ABS - Live Spindle								
610870-1	Standard	3.07	706930-2X	2002913	706933X	707160X	75815-2X	75815-1X
610870-2	Standard	3.55	706930-8X	2002913	706933X	707160X	75815-2X	75815-1X
610930-2	Standard	3.55	706930-8X	2002913	706933X	707160X	75815-2X	75815-1X
1999 XJ RHD, (Dead Front)								
610879								
1999 XJ RHD w/ABS								
610872-1	Standard	3.55	706930-8X	2002913	706933X	707160X	75815-2X	75815-1X
1999 XJ RHD								
610871-1	Standard	3.55	706930-8X	2002913	706933X	707160X	75814-2X	75814-1X
610871-2	Standard	4.10	706930-4X	707159X	706934X	707160X	75814-2X	75814-1X
1999 X1 Non-Disconnect								
610906-1	Standard	3.55	706930-8X	2002913	706933X	707160X	75814-2X	75814-1X
610906-2	Standard	4.10	706930-4X	707159X	706934X	707160X	75814-2X	75814-1X
1999 X1 Non-Disconnect w/ABS								
610907-1	Standard	3.55	706930-8X	2002913	706933X	707160X	75815-2X	75815-1X
1999 X1 Non-Disconnect, RH Steering								
610904-1	Standard	3.55	706930-8X	2002913	706933X	707160X	75814-2X	75814-1X
610904-2	Standard	4.10	706930-4X	707159X	706934X	707160X	75814-2X	75814-1X
1999 X1 Non-Disconnect, RH Steering w/ABS								
610905-1	Standard	3.55	706930-8X	2002913	706933X	707160X	75815-2X	75815-1X
1999 X1 Non-Disconnect, Diesel w/ABS								
610908-1	Standard	3.73	706930-5X	707159X	706934X	707160X	75815-2X	75815-1X
1999 X1 (Dead Front)								
610909								
1999 X1 (Dead Front) w/ABS								
610910								
1999 XJ LHD DIESEL								
610873-1	Standard	3.73	706930-5X	707159X	706934X	707160X	75814-2X	75814-1X
1999 XJ LHD DIESEL w/ABS								
610874-1	Standard	3.73	706930-5X	707159X	706934X	707160X	75815-2X	75815-1X
1999 XJ RHD DIESEL w/ABS								
610876-1	Standard	3.73	706930-5X	707159X	706934X	707160X	75815-2X	75815-1X
1999 XJ RHD DIESEL								
610875-1	Standard	3.73	706930-5X	707159X	706934X	707160X	75814-2X	75814-1X
1999 XJ (Dead Front)								
610877								
610915								

NOTE: All Ring & Pinion Kits with base number 706930 are reverse spiral bevel
 (7) See Ring Gear & Pinion Kits in XGI Catalog for ratio & tooth combinations.
 (8) See Differential Case Assy Kits in XGI Catalog for spline data & ratios.

Jeep Model 30 /181 Front Bill of Material Table

Axle			Axle Kits				Shaft & Joint Assy.	
Bill of Material	Diff. Type	Ratio	Ring Gear & Pinion Kit ⁽⁷⁾	Differential			Right Hand Shaft Assy.	Left Hand Shaft Assy.
				Case Assy. Kit ⁽⁸⁾	Case Kit	Inner Parts Kit		
1999 XJ w/ABS (Dead Front)								
610878								
610944								
1999 XJ RHD w/ABS (Dead Front)								
610880								
2000 XJ Non-Disconnect - Live Spindle Wheel End								
610976	Standard	4.10	706930-4X	707159X	706934X	707160X	75814-2X	75814-1X
610977	Standard	4.10	706930-4X	707159X	706934X	707160X	75814-2X	75814-1X
2000 XJ RHD, (Dead Front)								
610917								
2000 XJ RHD								
610969	Standard	4.10	706930-4X	707159X	706934X	707160X	75814-2X	75814-1X
2000 X1 (Dead Front)								
611003								
2000 XJ LHD DIESEL								
610971	Standard	3.73	706930-5X	707159X	706934X	707160X	75814-2X	75814-1X
2000 XJ LHD DIESEL w/ABS								
610972	Standard	3.73	706930-5X	707159X	706934X	707160X	75815-2X	75815-1X
2000 XJ RHD DIESEL w/ABS								
610974	Standard	3.73	706930-5X	707159X	706934X	707160X	75815-2X	75815-1X
2000 XJ RHD DIESEL								
610973	Standard	3.73	706930-5X	707159X	706934X	707160X	75814-2X	75814-1X
2000 XJ w/ABS (Dead Front)								
610916								
610937								
2001 XJ								
611130-1	Standard	3.73	708133-1	707159X	706934X	707160X	75814-2X	75814-1X
2001 XJ LHD DIESEL w/ABS								
611131-1	Standard	3.73	708133-1	707159X	706934X	707160X	75815-2X	75815-1X
2001 XJ RHD DIESEL w/ABS								
611133-1	Standard	3.73	708133-1	707159X	706934X	707160X	75815-2X	75815-1X
2001 XJ RHD DIESEL								
611132-1	Standard	3.73	708133-1	707159X	706934X	707160X	75814-2X	75814-1X

NOTE: All Ring & Pinion Kits with base number 706930 are reverse spiral bevel

(7) See Ring Gear & Pinion Kits in XGI Catalog for ratio & tooth combinations.

(8) See Differential Case Assy Kits in XGI Catalog for spline data & ratios.

Jeep Model 30 /181 Front Variable Parts Listing

Kits & Parts - Use With All Applications						
	Description & Item Number (Refer to the "Exploded View" at the front of this section)		Bills of Material			
			610869 610870 610871 610872 610873	610874 610875 610876	610877 610878 610879 610880	610904 610905 610906 610907 610908
1	Seal - Pinion Oil	10	44895	44895	-	44895
			610930	610937 610944	610969 610971 610972 610973 610974	610976 610977
1	Seal - Pinion Oil	10	44895	-	44895	44895
			611130 611131 611132 611133			
1	Seal - Pinion Oil	10	50660			

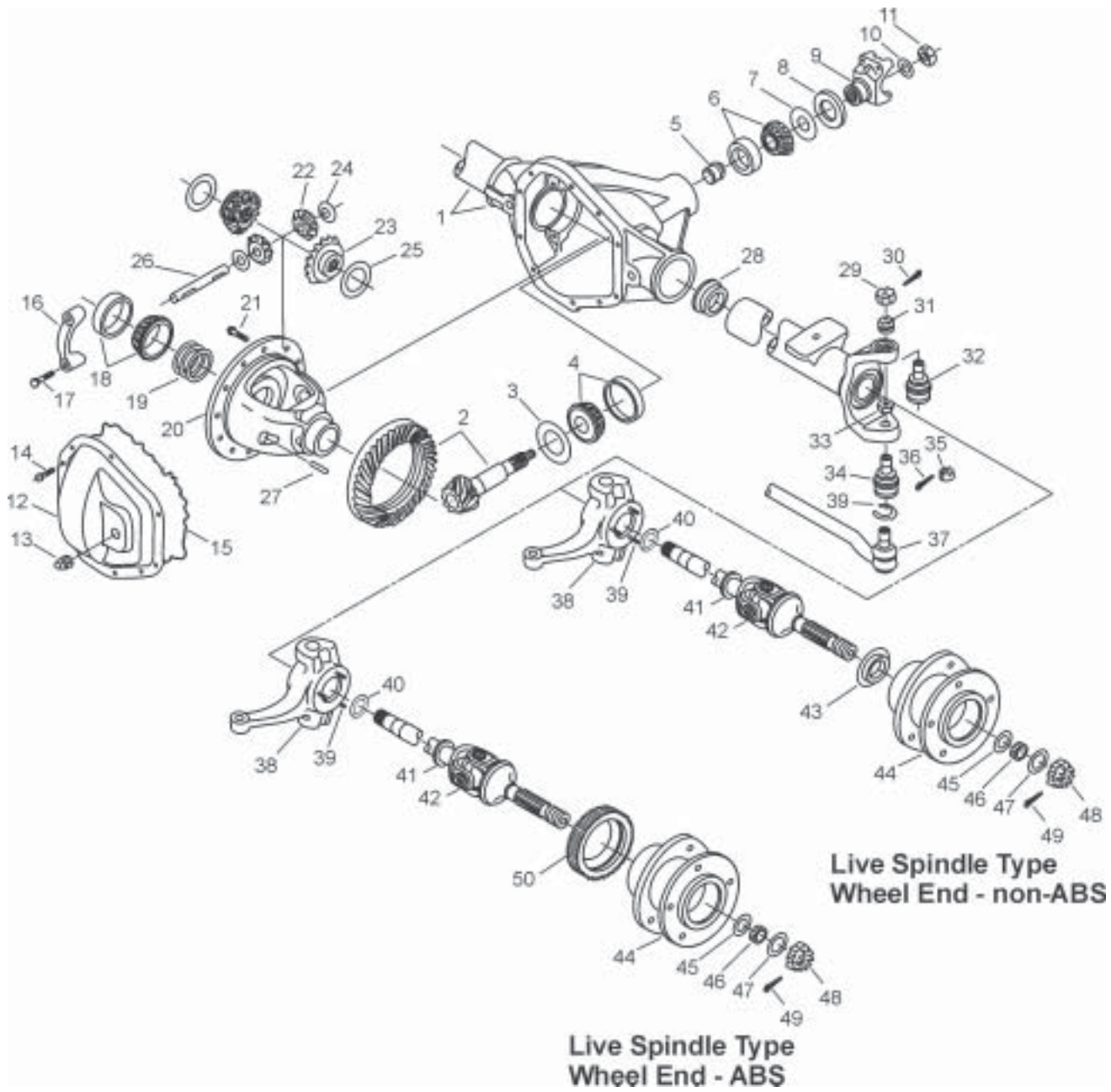
Jeep 1999-2005

**Model 30 /181 Front
with Collapsible Spacer
Axles for**

XJ (Cherokee)

TJ (Wrangler)

Jeep Model 30 /181 Front w/Collapsible Spacer Exploded View



Jeep Model 30 /181 Front w/Collapsible Spacer

Parts Listing

ITEM NO.	PART NUMBER	DESCRIPTION	ITEM NO.	PART NUMBER	DESCRIPTION
1	-(3)	Housing - Axle Service	26	41648	Shaft - Differential (std)
2	-(1)	Drive Pinion & Gear Assembly	27	13449	Lock - Differential Shaft
3	49634-(6)	Slinger - Variable Thicknesses	28	46470	Oil Seal
4	706015X	KIT - Inner Pinion Bearing		706944X	KIT - Socket Assembly
5	46194	Collapsible Spacer			(inc 29, 30, 31, 32, 33, 34)
6	706894X	KIT - Outer Pinion Bearing	29	43682	Slotted Nut
7	13575	Slinger - Outer Pinion Bearing	30	500024-6	Cotter Pin
8	-(2)	Seal - Pinion Oil	31	40586	Adjusting Split Ring
9	2-4-6561-1	End Yoke	32	40583	Socket Assembly (lower)
10	30186	Pinion Nut Washer	33	40584	Nut - Hex Jam
11	30185	Pinion Nut	34	40916	Socket Assembly (upper)
	707274X	KIT - Carrier Cover (inc items 12, 13, 14, 15)	35	-(3)	Nut - Hex Slotted
12	40869-1	Carrier Cover	36	-(3)	Cotter Pin
13	43180	Plug - Carrier Cover	37	-(3)	Tie Rod Assembly
14	34279	Bolt - Carrier Cover (qty 10)	38	-(3)	Right/Left Knuckle
15	38615	RTV Silicone Sealant	39	41027	Knuckle Bolt
16	-(3)	Differential Bearing Cap	40	2003626	Guide - Axle Shaft
17	48631-1	Bolt - Differential Bearing Cap	41	46849	Dust Slinger
18	706016X	KIT - Differential Bearing	42	-(1)	Shaft & Joint Assembly
19	701004X	PKG - Differential Bearing Shim	43	46988	Slinger - Hub Oil (non-ABS only)
20	-(1)	Case - Differential (std)	44	-(3)	Hub Assembly
21	41221	Bolt - Drive Gear (qty 10)	45	40596	Washer - Flat
22	32926	Pinion - Differential (std)	46	40597	Nut - Hex
23	33213	Gear - Differential (std)	47	45749	Washer - Spring Wave
24	34096	Thrustwasher - Diff. Pinion	48	40598	Lock Nut
25	40027	Thrustwasher - Differential Gear	49	500025-10	Cotter Pin
			50	44646	Tone Ring (ABS only)

- (1) See "Bill of Material Table" on next page
(2) See "Variable Parts Table" within this section
(3) Contact Vehicle Manufacturer
(4) Not Sold Separately
(6) See Shim Table in the back of this catalog

Jeep Model 30 /181 Front w/Collapsible Spacer

Bill of Material Table

Axle			Axle Kits				Shaft & Joint Assy.	
Bill of Material	Diff. Type	Ratio	Ring Gear & Pinion Kit ⁽⁷⁾	Differential			Right Hand Shaft Assy.	Left Hand Shaft Assy.
				Case Assy. Kit ⁽⁸⁾	Case Kit	Inner Parts Kit		
1999 TJ								
610881-1	Standard	3.07	707344-2X	2002913	706007X	707160X	75814-2X	75814-1X
610881-3	Standard	4.10	707344-6X	707159X	706008X	707160X	75814-2X	75814-1X
610881-4	Standard	3.73	707344-11X	707159X	706008X	707160X	75814-2X	75814-1X
1999 TJ RHD								
610883-1	Standard	3.07	707344-2X	2002913	706007X	707160X	75814-2X	75814-1X
610883-3	Standard	3.73	707344-11X	707159X	706008X	707160X	75814-2X	75814-1X
1999 TJ w/ABS								
610882-1	Standard	3.07	707344-2X	2002913	706007X	707160X	75815-2X	75815-1X
610882-3	Standard	3.73	707344-11X	707159X	706008X	707160X	75815-2X	75815-1X
2000 XJ								
610856-1	Standard	3.07	707344-2X	2002913	706007X	707160X	75814-2X	75814-1X
610856-2	Standard	3.55	707344-8X	2002913	706007X	707160X	75814-2X	75814-1X
610967	Standard	3.07	707344-2X	2002913	706007X	707160X	75814-2X	75814-1X
610980	Standard	3.55	707344-8X	2002913	706007X	707160X	75814-2X	75814-1X
2000 XJ RHD w/ABS								
610859-1	Standard	3.55	707344-8X	2002913	706007X	707160X	75815-2X	75815-1X
610970	Standard	3.55	707344-8X	2002913	706007X	707160X	75815-2X	75815-1X
2000 XJ RHD								
610858-1	Standard	3.55	707344-8X	2002913	706007X	707160X	75814-2X	75814-1X
610975	Standard	3.55	707344-8X	2002913	706007X	707160X	75814-2X	75814-1X
2000 XJ w/ABS								
610857-1	Standard	3.07	707344-2X	2002913	706007X	707160X	75815-2X	75815-1X
610857-2	Standard	3.55	707344-8X	2002913	706007X	707160X	75815-2X	75815-1X
610945-2	Standard	3.55	707344-8X	2002913	706007X	707160X	75815-2X	75815-1X
610968	Standard	3.07	707344-2X	2002913	706007X	707160X	75815-2X	75815-1X
2001 XJ								
611101-1	Standard	3.07	708132-1	2002913	706007X	707160X	75814-2X	75814-1X
611101-2	Standard	3.55	708132-2	2002913	706007X	707160X	75814-2X	75814-1X
611106-1	Standard	3.07	708132-1	2002913	706007X	707160X	75814-2X	75814-1X
611113-1	Standard	3.55	708132-2	2002913	706007X	707160X	75814-2X	75814-1X
2001 XJ RHD w/ABS								
611104-1	Standard	3.55	708132-2	2002913	706007X	707160X	75815-2X	75815-1X
611109-1	Standard	3.55	708132-2	2002913	706007X	707160X	75815-2X	75815-1X
2001 XJ RHD								
611103-1	Standard	3.55	708132-2	2002913	706007X	707160X	75814-2X	75814-1X
611110-1	Standard	3.55	708132-2	2002913	706007X	707160X	75814-2X	75814-1X

NOTE: All Ring & Pinion Kits with base number 706930 are reverse spiral bevel

(7) See Ring Gear & Pinion Kits in XGI Catalog for ratio & tooth combinations.

(8) See Differential Case Assy Kits in XGI Catalog for spline data & ratios.

Jeep Model 30 /181 Front w/Collapsible Spacer

Bill of Material Table

Axle			Axle Kits				Shaft & Joint Assy.	
Bill of Material	Diff. Type	Ratio	Ring Gear & Pinion Kit ⁽⁷⁾	Differential			Right Hand Shaft Assy.	Left Hand Shaft Assy.
				Case Assy. Kit ⁽⁸⁾	Case Kit	Inner Parts Kit		
2001 XJ w/ABS								
611102-1	Standard	3.07	708132-1	2002913	706007X	707160X	75815-2X	75815-1X
611102-2	Standard	3.55	708132-2	2002913	706007X	707160X	75815-2X	75815-1X
611105-2	Standard	3.55	708132-2	2002913	706007X	707160X	75815-2X	75815-1X
611107-1	Standard	3.07	708132-1	2002913	706007X	707160X	75815-2X	75815-1X
2001-02 TJ								
611114-1	Standard	3.07	708132-1	2002913	706007X	707160X	75814-2X	75814-1X
611114-3	Standard	4.10	708132-3	707159X	706008X	707160X	75814-2X	75814-1X
611114-4	Standard	3.73	708132-4	707159X	707008X	707160X	75814-2X	75814-1X
611114-5	Standard	4.56	708132-5	707159X	706008X	707160X	75814-2X	75814-1X
611115-1	Standard	3.07	708132-1	2002913	706007X	707160X	75815-2X	75815-1X
2001-02 TJ RHD								
611115-3	Standard	3.73	708132-4	707159X	707008X	707160X	75815-2X	75815-1X
611116-1	Standard	3.07	708132-1	2002913	706007X	707160X	75814-2X	75814-1X
611116-3	Standard	3.73	708132-4	707159X	706008X	707160X	75814-2X	75814-1X
2002 TJ								
611312-1	Standard	3.07	708132-1	2002913	706007X	707160X	75814-2X	75814-1X
611312-3	Standard	4.10	708132-3	2002915	706008X	707160X	75814-2X	75814-1X
611312-4	Standard	3.73	708132-4	707159X	706008X	707160X	75814-2X	75814-1X
611312-5	Standard	4.56	708132-5	707159X	706008X	707160X	75814-2X	75814-1X
611313-1	Standard	3.07	708132-1	2002913	706007X	707160X	75815-2X	75815-1X
611313-2	Standard	3.55	708132-2	2002913	706007X	2002914	75525-2X	75525-1X
611313-3	Standard	3.73	708132-4	707159X	706008X	707160X	75815-2X	75815-1X
2002 TJ RHD								
611314-1	Standard	3.07	708132-1	2002913	706007X	707160X	75814-2X	75814-1X
611314-3	Standard	3.73	708132-4	707159X	706008X	707160X	75814-2X	75814-1X
2004-05 TJ w/ABS								
611381-1	Standard	3.07	708132-1	2002913	706007X	707160X	75815-2X	75815-1X
611381-2	Standard	3.73	708132-4	2002915	706008X	2002914	75525-2X	75525-1X

NOTE: All Ring & Pinion Kits with base number 706930 are reverse spiral bevel

(7) See Ring Gear & Pinion Kits in XGI Catalog for ratio & tooth combinations.

(8) See Differential Case Assy Kits in XGI Catalog for spline data & ratios.

Jeep Model 30 /181 Front w/Collapsible Spacer Variable Parts Listing

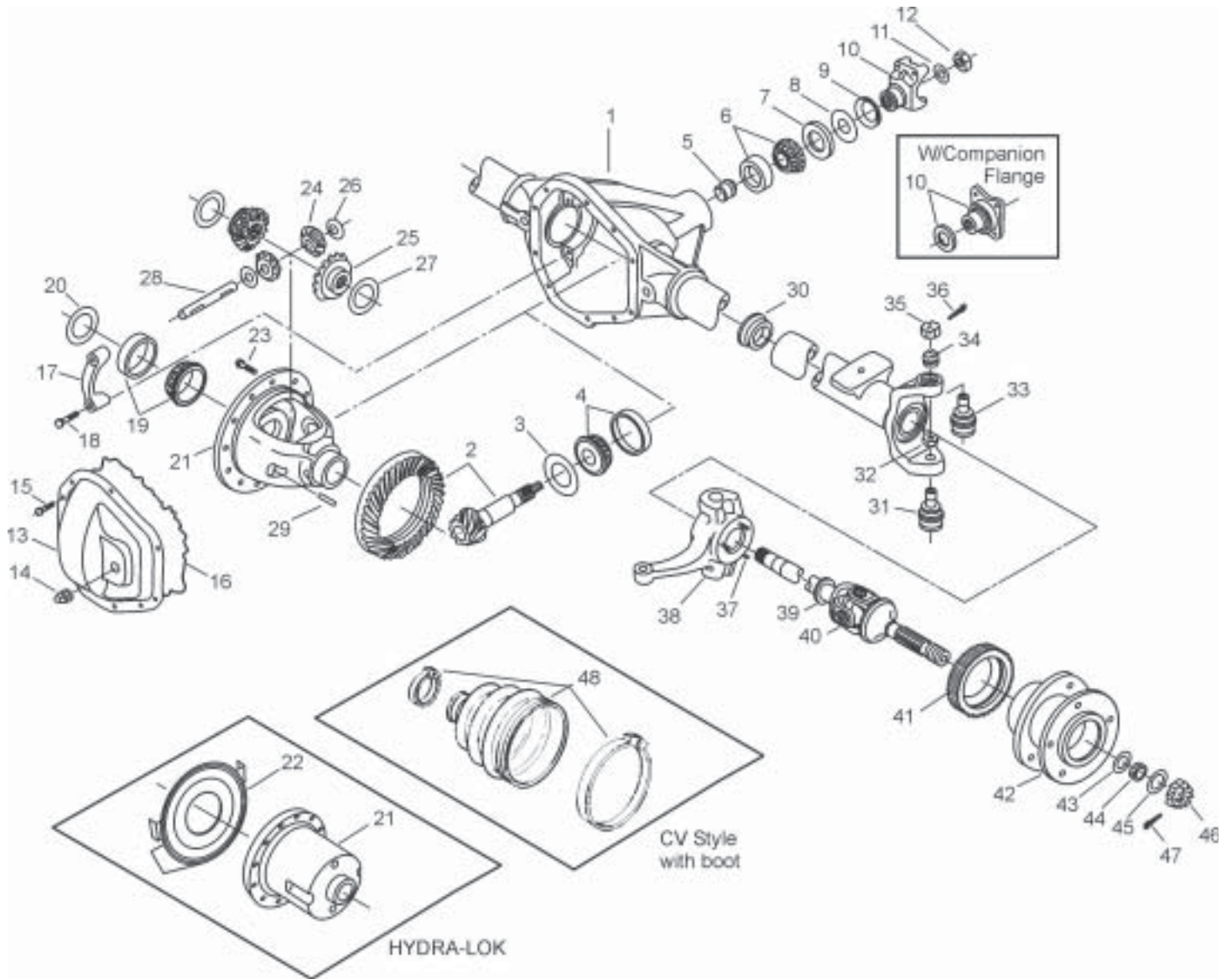
Kits & Parts - Use With All Applications						
Description & Item Number (Refer to the "Exploded View" at the front of this section)		Bills of Material				
		610856	610882	610970	611101	611106
		610857	610883	610975	611102	611107
		610858	610945	610980	611103	611109
		610859	610967		611104	611110
		610881	610968		611105	611113
1	Seal - Pinion Oil	8	44895	44895	44895	50660
			611114	611314		
			611115	611381		
			611116			
			611312			
			611313			
1	Seal - Pinion Oil	8	50660	50660	50660	50660

Jeep 1999-2003

Model Super 30 /186 Front Axles for

WJ (Grand Cherokee)

Jeep Model Super 30 /186 Front Exploded View



Jeep Model Super 30 /186 Front Parts Listing

ITEM NO.	PART NUMBER	DESCRIPTION	ITEM NO.	PART NUMBER	DESCRIPTION
1	-(3)	Housing - Axle Service	24	32926	Pinion - Differential (std)
2	-(1)	Drive Pinion & Gear Assembly	25	33213	Gear - Differential (std)
3	-(2)	Slinger - Variable Thicknesses	26	34096	Thrustwasher - Diff Pinion (std)
4	-(2)	KIT - Inner Pinion Bearing	27	40027	Thrustwasher - Diff Gear (std)
5	-(2)	Collapsible Spacer	28	41648	Shaft - Differential (std)
6	-(2)	KIT - Outer Pinion Bearing	29	13449	Lock - Differential Shaft (std)
7	-(2)	Slinger	30	46470	Oil Seal
8	-(2)	Seal - Pinion Oil		707488X	KIT - Socket Assembly
9	-(2)	Oil Seal			(inc 31, 32, 33, 34, 35, 36)
10	-(2)	End Yoke/Companion Flange Assy	31	40916	Socket Assembly (upper)
11	-	Washer - Pinion Nut	32	40584	Nut - Hex Jam
12	-(2)	Pinion Nut	33	48715	Socket Assembly (lower)
	-(2)	KIT - Carrier Cover	34	40586	Adjusting Split Ring
		(inc items 13, 14, 15, 16)	35	43682	Slotted Nut
13	-(2)	Carrier Cover	36	500024-6	Cotter Pin
14	43181	Plug - Carrier Cover	37	47827	Bolt - Knuckle
15	34279	Bolt - Carrier (qty 10)	38	-(3)	Right Knuckle
16	38615	RTV Silicone Sealant	39	-(2)	Dust Slinger
17	-(3)	Differential Bearing Cap	40	-(1)	Axle Shaft
18	48631-1	Bolt - Differential Bearing Cap	41	-(4)	Tone Ring (ABS Only)
19	706016X	KIT - Differential Bearing	42	-(3)	Hub Assembly
20	49036 (6)	Spacer - Differential	43	40596	Washer - Flat
21	-(1)	Case - Differential	44	40597	Hex Nut
22	49175	Plenum Assembly (Hydra-Lok)	45	45749	Washer - Spring Wave
		(Hydra Lok - Serviced only as an assembled unit)	46	40598	Retainer Nut
			47	500025-10	Cotter Pin
23	41221	Bolt - Drive Gear (qty 10)	48	-(2)	KIT - Boot & Clamp

- (1) See "Bill of Material Table" on next page
(2) See "Variable Parts Table" within this section
(3) Contact Vehicle Manufacturer
(4) Not Sold Separately

Jeep Model Super 30 /186 Front Bill of Material Table

Axle			Axle Kits				Shaft & Joint Assy.	
Bill of Material	Diff. Type	Ratio	Ring Gear & Pinion Kit ⁽⁷⁾	Differential			Right Hand Shaft Assy.	Left Hand Shaft Assy.
				Case Assy. Kit ⁽⁸⁾	Case Kit	Inner Parts Kit		
1999 WJ w/ABS								
610735-2	Standard	3.55	76385-5X	707158-1X	706007-1X	707160X	76500-1X	76500-2X
610735-3	Standard	3.73	76386-5X	707159-1X	706008-2X	707160X	76500-1X	76500-2X
1999 WJ CV w/ABS								
610734-2	Standard	3.55	76385-5X	707158-1X	706007-1X	707160X	51737-1	51737-2
610734-3	Standard	3.73	76386-5X	707159-1X	706008-2X	707160X	51737-1	51737-2
610742-3	Hydra Lok	3.73	76386-5X	85282	-	-	51737-3	51737-4
610919-1	Standard	3.55	76385-5X	707158-1X	706007-1X	707160X	51737-1	51737-2
610919-2	Standard	3.73	76386-5X	707159-1X	706008-2X	707160X	51737-1	51737-2
610919-3	Standard	3.91	80177-5	707159-1X	706008-2X	707160X	51737-1	51737-2
610920	Standard	3.73	76386-5X	707159-1X	706008-2X	707160X	51737-1	51737-2
610921	Hydra Lok	3.73	76386-5X	85282	-	-	51737-3	51737-4
610922	Hydra Lok	3.73	76386-5X	85282	-	-	51737-3	51737-4
610924	Hydra Lok	3.91	80177-5	85282	-	-	51737-3	51737-4
610926	Standard	3.91	80177-5	707159-1X	706008-2X	707160X	51737-1	51737-2
610927	Hydra Lok	3.91	80177-5	85282	-	-	51737-3	51737-4
1999 WJ (Dead Front)								
610733								
610923								
610950								
611011								
1999 1/2 WJ w/ABS								
610863-2	Standard	3.55	76385-5X	707158-1X	706007-1X	707160X	51737-1	51737-2
610863-3	Standard	3.73	76386-5X	707159-1X	706008-2X	707160X	51737-1	51737-2
1999 1/2 WJ CV w/ABS								
610862-2	Standard	3.55	76385-5X	707158-1X	706007-1X	707160X	51737-1	51737-2
610862-3	Standard	3.73	76386-5X	707159-1X	706008-2X	707160X	51737-1	51737-2
610862-4	Standard	3.91	80177-5	707159-1X	706008-2X	707160X	51737-1	51737-2
610864-3	Standard	3.73	76386-5X	707159-1X	706008-2X	707160X	51737-1	51737-2
610864-4	Standard	3.91	80177-5	707159-1X	706008-2X	707160X	51737-1	51737-2
610865-3	Hydra Lok	3.73	76386-5X	85282	-	-	51737-3	51737-4
610866-3	Hydra Lok	3.73	76386-5X	85282	-	-	51737-3	51737-4
610866-4	Hydra Lok	3.91	80177-5	85282	-	-	51737-3	51737-4
610868-1	Hydra Lok	3.91	80177-5	85282	-	-	51737-3	51737-4
1999 1/2 WJ (Dead Front)								
610867								

NOTE: All Ring & Pinion Kits with base number 706930 are reverse spiral bevel
 (7) See Ring Gear & Pinion Kits in XGI Catalog for ratio & tooth combinations.
 (8) See Differential Case Assy Kits in XGI Catalog for spline data & ratios.

Jeep Model Super 30 /186 Front Bill of Material Table

Axle			Axle Kits				Shaft & Joint Assy.	
Bill of Material	Diff. Type	Ratio	Ring Gear & Pinion Kit ⁽⁷⁾	Differential			Right Hand Shaft Assy.	Left Hand Shaft Assy.
				Case Assy. Kit ⁽⁸⁾	Case Kit	Inner Parts Kit		
2000 WJ CV w/ABS								
610946-1	Standard	3.55	76385-5X	707158-1X	706007-1X	707160X	51737-1	51737-2
610946-2	Standard	3.73	76386-5X	707159-1X	706008-2X	707160X	51737-1	51737-2
610946-3	Standard	3.91	80177-5	707158-1X	706007-1X	707160X	51737-1	51737-2
610947	Standard	3.73	76386-5X	707159-1X	706008-2X	707160X	51737-1	51737-2
610948	Hydra Lok	3.73	76386-5X	85282	-	-	51737-3	51737-4
610949	Hydra Lok	3.73	76386-5X	85282	-	-	51737-3	51737-4
610951	Hydra Lok	3.91	80177-5	85282	-	-	51737-3	51737-4
610952	Standard	3.91	80177-5	707159-1X	706008-2X	707160X	51737-1	51737-2
610953	Hydra Lok	3.91	80177-5	85282	-	-	51737-3	51737-4
611007-1	Standard	3.55	76385-5X	707158-1X	706007-1X	707160X	51737-1	51737-2
611007-2	Standard	3.73	76386-5X	707159-1X	706008-2X	707160X	51737-1	51737-2
611007-3	Standard	3.91	80177-5	707159-1X	706008-2X	707160X	51737-1	51737-2
611008	Standard	3.73	76386-5X	707159-1X	706008-2X	707160X	51737-1	51737-2
611009	Hydra Lok	3.73	76386-5X	85282	-	-	51737-3	51737-4
611010	Hydra Lok	3.73	76386-5X	85282	-	-	51737-3	51737-4
611012	Hydra Lok	3.91	80177-5	85282	-	-	51737-3	51737-4
611013	Standard	3.91	80177-5	707159-1X	706008-2X	707160X	51737-1	51737-2
611014	Hydra Lok	3.91	80177-5	85282	-	-	51737-3	51737-4
611093-1	Standard	3.55	76385-5X	707158-1X	706007-1X	707160X	51737-1	51737-2
611098	Hydra Lok	3.91	80177-5	85282	-	-	51737-3	51737-4
611100	Hydra Lok	3.91	80177-5	76739X	-	-	51737-3	51737-4
2001 WJ CV w/ABS								
611117	Standard	3.73	76386-5X	707159-1X	706008-2X	707160X	51737-1	51737-2
611118	Hydra Lok	3.73	76386-5X	85282	-	-	51737-3	51737-4
611119-1	Standard	3.55	76385-5X	707158-1X	706007-1X	707160X	51737-1	51737-2
611119-2	Standard	3.73	76386-5X	707159-1X	706008-2X	707160X	51737-1	51737-2
611119-3	Standard	3.91	80177-5	707159-1X	706008-2X	707160X	51737-1	51737-2
611120	Standard	3.73	76386-5X	707159-1X	706008-2X	707160X	51737-1	51737-2
611121	Hydra Lok	3.73	76386-5X	85282	-	-	51737-3	51737-4
611122	Hydra Lok	3.73	76386-5X	85282	-	-	51737-3	51737-4
611124	Hydra Lok	3.91	80177-5	85282	-	-	51737-3	51737-4
611125	Standard	3.91	80177-5	707159-1X	706008-2X	707160X	51737-1	51737-2
611126	Hydra Lok	3.91	80177-5	85282	-	-	51737-3	51737-4
611166	Standard	3.55	76385-5X	707158-1X	706007-1X	707160X	51737-1	51737-2
611279	Hydra Lok	3.73	76386-5X	85282	-	-	51737-3	51737-4
611322	Hydra Lok	3.73	76386-5X	85282	-	-	51737-3	51737-4
611375	Hydra Lok	3.73	76386-5X	85282	-	-	51737-3	51737-4
2001 WJ (Dead Front)								
611097								
611123								

NOTE: All Ring & Pinion Kits with base number 706930 are reverse spiral bevel

(7) See Ring Gear & Pinion Kits in XGI Catalog for ratio & tooth combinations.

(8) See Differential Case Assy Kits in XGI Catalog for spline data & ratios.

Jeep Model Super 30 /186 Front Bill of Material Table

Axle			Axle Kits				Shaft & Joint Assy.	
Bill of Material	Diff. Type	Ratio	Ring Gear & Pinion Kit ⁽⁷⁾	Differential			Right Hand Shaft Assy.	Left Hand Shaft Assy.
				Case Assy. Kit ⁽⁸⁾	Case Kit	Inner Parts Kit		
2002 WJ CV w/ABS								
611251	Standard	3.55	76385-5X	707158-1X	706007-1X	707160X	51737-1	51737-2
611252	Hydra Lok	3.55	76385-5X	85911	-	-	51737-3	51737-4
611253	Standard	3.55	76385-5X	707159-1X	706008-2X	707160X	51737-1	51737-2
611254	Hydra Lok	3.55	76385-5X	85911	-	-	51737-3	51737-4
611278	Standard	3.73	76386-5X	707159-1X	706008-2X	707160X	51737-1	51737-2
611280	Standard	3.73	76386-5X	707159-1X	706008-2X	707160X	51737-1	51737-2
611281	Standard	3.73	76386-5X	707159-1X	706008-2X	707160X	51737-1	51737-2
611282	Hydra Lok	3.73	76386-5X	85282	-	-	51737-3	51737-4
611283	Hydra Lok	3.73	76386-5X	85282	-	-	51737-3	51737-4
611285	Standard	3.55	76385-5X	707158-1X	706007-1X	707160X	51737-1	51737-2
611286	Standard	3.55	76385-5X	707158-1X	706007-1X	707160X	51737-1	51737-2
611287	Hydra Lok	3.55	76385-5X	85911	-	-	51737-3	51737-4
611288	Standard	3.55	76385-5X	707159-1X	706008-2X	707160X	51737-1	51737-2
611289	Hydra Lok	3.55	76385-5X	85911	-	-	51737-3	51737-4
611325	Hydra Lok	3.73	76386-5X	85282	-	-	51737-3	51737-4
611326	Hydra Lok	3.73	76386-5X	85282	-	-	51737-3	51737-4
611332	Hydra Lok	3.55	76385-5X	85911	-	-	51737-3	51737-4
2002 WJ (Dead Front)								
611219								
611284								
2002-03 WJ CV w/ABS								
611321	Standard	3.73	76386-5X	707159-1X	706008-2X	707160X	51737-1	51737-2
611323	Standard	3.73	76386-5X	707159-1X	706008-2X	707160X	51737-1	51737-2
611324	Standard	3.73	76386-5X	707159-1X	706008-2X	707160X	51737-1	51737-2
611329	Standard	3.55	76385-5X	707158-1X	706007-1X	707160X	51737-1	51737-2
611330	Hydra Lok	3.55	76385-5X	85911	-	-	51737-3	51737-4
611331	Standard	3.55	76385-5X	707159-1X	706008-2X	707160X	51737-1	51737-2
2003 WJ CV w/ABS								
611328	Standard	3.55	76385-5X	707158-1X	706007-1X	707160X	51737-1	51737-2
611373	Hydra Lok	3.55	76385-5X	85911	-	-	51737-3	51737-4
611374	Hydra Lok	3.55	76385-5X	85911	-	-	51737-3	51737-4
611376	Hydra Lok	3.73	76386-5X	85282	-	-	51737-3	51737-4
611377	Hydra Lok	3.73	76386-5X	85282	-	-	51737-3	51737-4
2003 WJ (Dead Front)								
611327								

NOTE: All Ring & Pinion Kits with base number 706930 are reverse spiral bevel
 (7) See Ring Gear & Pinion Kits in XGI Catalog for ratio & tooth combinations.
 (8) See Differential Case Assy Kits in XGI Catalog for spline data & ratios.

Jeep Model Super 30 /186 Front Variable Parts Listing



Kits & Parts - Use With All Applications							
Description & Item Number (Refer to "Exploded View" at the front of this section)			Bills of Material				
			610733	610734	610735	610742 610862	610863
1	Slinger - Variable Thicknesses	3	-	44035 (6)	44035 (6)	44035 (6)	49634 (6)
2	KIT - Inner Pinion Bearing	4	-	706015X	706015X	706015X	706015X
3	Collapsible Spacer	5	-	46194	46194	46194	46194
4	KIT - Outer Pinion Bearing	6	-	706894X	706894X	706894X	706894X
5	Slinger	7	-	13575	13575	13575	13575
6	Seal - Pinion Oil	8	-	47761	47761	47761	47761
7	Oil Seal	9	-	47762	47762	47762	47762
8	End Yoke/Companion Flange Assy	10	-	2-1-2891 (3)	2-1-2891 (3)	2-1-2891 (3)	2-1-2891 (3)
9	Pinion Nut	12	-	50560	50560	30185	30185
10	KIT - Carrier Cover (inc 13,14,15)	-	-	707486X	707486X	707486X	707486X
11	Carrier Cover	13	-	47832-1	47832-1	47832-1	47832-1
12	Dust Slinger	39	-	-	46849	-	46849
13	KIT - Boot & Clamp	48	-	708179	-	708179	-
			610864	610865	610866	610867	610868 610919 610920 610921 610922
1	Slinger - Variable Thicknesses	3	49634 (6)	49634 (6)	44035 (6)	-	49634 (6)
2	KIT - Inner Pinion Bearing	4	706015X	706015X	706015X	-	706015X
3	Collapsible Spacer	5	46194	46194	46194	-	46194
4	KIT - Outer Pinion Bearing	6	706894X	706894X	706894X	-	706894X
5	Slinger	7	13575	13575	13575	-	13575
6	Seal - Pinion Oil	8	47761	47761	47761	-	47761
7	Oil Seal	9	47762	47762	47762	-	47762
8	End Yoke/Companion Flange Assy	10	2-1-2891 (3)	2-1-2891 (3)	2-1-2891 (3)	-	2-1-2891 (3)
9	Pinion Nut	12	30185	50560	30185	-	30185
10	KIT - Carrier Cover (inc 13,14,15)	-	707486X	707486X	707486X	-	707486X
11	Carrier Cover	13	47832-1	47832-1	47832-1	-	47832-1
12	Dust Slinger	39	-	-	-	-	-
13	KIT - Boot & Clamp	48	708179	708179	708179	-	708179
			610923	610924 610926 610927	610946 610947 610948 610949	610950	610951 610952 610953 611007 611008
1	Slinger - Variable Thicknesses	3	-	49634 (6)	49634 (6)	-	49634 (6)
2	KIT - Inner Pinion Bearing	4	-	706015X	706015X	-	706015X
3	Collapsible Spacer	5	-	46194	50576	-	50576
4	KIT - Outer Pinion Bearing	6	-	706894X	706894X	-	706894X
5	Slinger	7	-	13575	13575	-	13575
6	Seal - Pinion Oil	8	-	47761	47761	-	47761
7	Oil Seal	9	-	47762	47762	-	47762
8	End Yoke/Companion Flange Assy	10	-	2-1-2891 (3)	2-1-2891 (3)	-	2-1-2891 (3)
9	Pinion Nut	12	-	30185	50560	-	50560
10	KIT - Carrier Cover (inc 13,14,15)	-	-	707486X	707486X	-	707486X
11	Carrier Cover	13	-	47832-1	47832-1	-	47832-1
12	Dust Slinger	39	-	-	-	-	-
13	KIT - Boot & Clamp	48	-	708179	708179	-	708179

(3) Contact Vehicle Manufacturer
 (6) See Shim Table in the back of this catalog

Jeep Model Super 30 /186 Front Variable Parts Listing

Kits & Parts - Use With All Applications							
Description & Item Number (Refer to "Exploded View" at the front of this section)			Bills of Material				
			611009 611010	611011	611012 611013 611014 611093 611094 611095 611096	611097	611098 611099 611100
1	Slinger - Variable Thicknesses	3	49634 (6)	-	49634 (6)	-	49634 (6)
2	KIT - Inner Pinion Bearing	4	706015X	-	706015X	-	706015X
3	Collapsible Spacer	5	50576	-	50576	-	50576
4	KIT - Outer Pinion Bearing	6	706894X	-	706894X	-	706894X
5	Slinger	7	13575	-	13575	-	13575
6	Seal - Pinion Oil	8	47761	-	47761	-	47761
7	Oil Seal	9	47762	-	47762	-	47762
8	End Yoke/Companion Flange Assy	10	2-1-2891 (3)	-	2-1-2891 (3)	-	2-1-2891 (3)
9	Pinion Nut	12	50560	-	50560	-	50560
10	KIT - Carrier Cover (inc 13,14,15)	-	707486X	-	707486X	-	707486X
11	Carrier Cover	13	47832-1	-	47832-1	-	47832-1
12	Dust Slinger	39	-	-	-	-	-
13	KIT - Boot & Clamp	48	708179	-	708179	-	708179
			611117 611118	611119 611120 611121 611122	611123	611124 611125 611126	611166
1	Slinger - Variable Thicknesses	3	49634 (6)	49634 (6)	-	49634 (6)	49634 (6)
2	KIT - Inner Pinion Bearing	4	706015X	706015X	-	706015X	706015X
3	Collapsible Spacer	5	50576	50576	-	50576	50576
4	KIT - Outer Pinion Bearing	6	706894X	706894X	-	706894X	706894X
5	Slinger	7	13575	13575	-	13575	13575
6	Seal - Pinion Oil	8	50531	50531	-	50531	50531
7	Oil Seal	9	47762	47762	-	47762	47762
8	End Yoke/Companion Flange Assy	10	2-4-8571-1(3)	2-1-2891 (3)	-	2-1-2891 (3)	2-4-8571-1(3)
9	Pinion Nut	12	50560	50560	-	50560	50560
10	KIT - Carrier Cover (inc 13,14,15)	-	707486X	707486X	-	707486X	707486X
11	Carrier Cover	13	47832-1	47832-1	-	47832-1	478321
12	Dust Slinger	39	-	-	-	-	-
13	KIT - Boot & Clamp	48	708179	708179	-	-	708179
			611219	611251 611252 611253 611254	611278 611279	611280 611281 611282 611283	611284
1	Slinger - Variable Thicknesses	3	-	49634 (6)	49634 (6)	49634 (6)	-
2	KIT - Inner Pinion Bearing	4	-	706015X	706015X	706015X	-
3	Collapsible Spacer	5	-	50576	50576	50576	-
4	KIT - Outer Pinion Bearing	6	-	706894X	706894X	706894X	-
5	Slinger	7	-	13575	13575	13575	-
6	Seal - Pinion Oil	8	-	50531	50531	50531	-
7	Oil Seal	9	-	47762	47762	47762	-
8	End Yoke/Companion Flange Assy	10	-	2-1-2891 (3)	2-4-8571-1(3)	2-1-2891 (3)	-
9	Pinion Nut	12	-	50560	50560	50560	-
10	KIT - Carrier Cover (inc 13,14,15)	-	-	707486X	707486X	707486X	-
11	Carrier Cover	13	-	47832-1	47832-1	47832-1	-
12	Dust Slinger	39	-	-	-	-	-
13	KIT - Boot & Clamp	48	-	708179	708179	708179	-

(3) Contact Vehicle Manufacturer

(6) See Shim Table in the back of this catalog

Jeep Model Super 30 /186 Front Variable Parts Listing



Kits & Parts - Use With All Applications							
Description & Item Number (Refer to "Exploded View" at the front of this section)			Bills of Material				
			611285	611286 611287 611288 611289	611321 611322	611323 611324	611325
1	Slinger - Variable Thicknesses	3	49634 (6)	49634 (6)	49634 (6)	49634 (6)	49634 (6)
2	KIT - Inner Pinion Bearing	4	706015X	706015X	706015X	706015X	706015X
3	Collapsible Spacer	5	50576	50576	50576	50576	50576
4	KIT - Outer Pinion Bearing	6	706894X	706894X	706894X	706894X	706894X
5	Slinger	7	13575	13575	13575	13575	13575
6	Seal - Pinion Oil	8	50531	50531	50531	50531	50531
7	Oil Seal	9	47762	47762	47762	47762	47762
8	End Yoke/Companion Flange Assy	10	2-4-8571-1 (3)	2-1-2891 (3)	2-4-8571-1(3)	2-1-2891 (3)	(3)
9	Pinion Nut	12	50560	50560	50560	50560	50560
10	KIT - Carrier Cover (inc 13,14,15)	-	707486X	707486X	707486X	707486X	707486X
11	Carrier Cover	13	47832-1	47832-1	47832-1	47832-1	47832-1
12	Dust Slinger	39	-	-	-	-	-
13	KIT - Boot & Clamp	48	708179	708179	708179	708179	708179
			611326	611327	611328	611329	611330
1	Slinger - Variable Thicknesses	3	49634 (6)	-	49634 (6)	49634 (6)	49634 (6)
2	KIT - Inner Pinion Bearing	4	706015X	-	706015X	706015X	706015X
3	Collapsible Spacer	5	50576	-	50576	50576	50576
4	KIT - Outer Pinion Bearing	6	706894X	-	706894X	706894X	706894X
5	Slinger	7	13575	-	13575	13575	13575
6	Seal - Pinion Oil	8	50531	-	50531	50531	50531
7	Oil Seal	9	47762	-	47762	47762	47762
8	End Yoke/Companion Flange Assy	10	- (3)	-	2-4-8571-1(3)	2-1-2891 (3)	- (3)
9	Pinion Nut	12	50560	-	50560	50560	50560
10	KIT - Carrier Cover (inc 13,14,15)	-	707486X	-	707486X	707486X	707486X
11	Carrier Cover	13	47832-1	-	47832-1	47832-1	47832-1
12	Dust Slinger	39	-	-	-	-	-
13	KIT - Boot & Clamp	48	708179	-	708179	708179	708179
			611331	611332 611373 611374	611375	611376 611377	
1	Slinger - Variable Thicknesses	3	49634 (6)	49634 (6)	49634 (6)	49634 (6)	
2	KIT - Inner Pinion Bearing	4	706015X	706015X	706015X	706015X	
3	Collapsible Spacer	5	50576	50576	50576	50576	
4	KIT - Outer Pinion Bearing	6	706894X	706894X	706894X	706894X	
5	Slinger	7	13575	13575	13575	13575	
6	Seal - Pinion Oil	8	50531	50531	50531	50531	
7	Oil Seal	9	47762	47762	47762	47762	
8	End Yoke/Companion Flange Assy	10	2-1-2891 (3)	- (3)	2-4-8571-1(3)	- (3)	
9	Pinion Nut	12	50560	50560	50560	50560	
10	KIT - Carrier Cover (inc 13,14,15)	-	707486X	707486X	707486X	707486X	
11	Carrier Cover	13	47832-1	47832-1	47832-1	47832-1	
12	Dust Slinger	39	-	-	-	-	
13	KIT - Boot & Clamp	48	708179	708179	708179	708179	

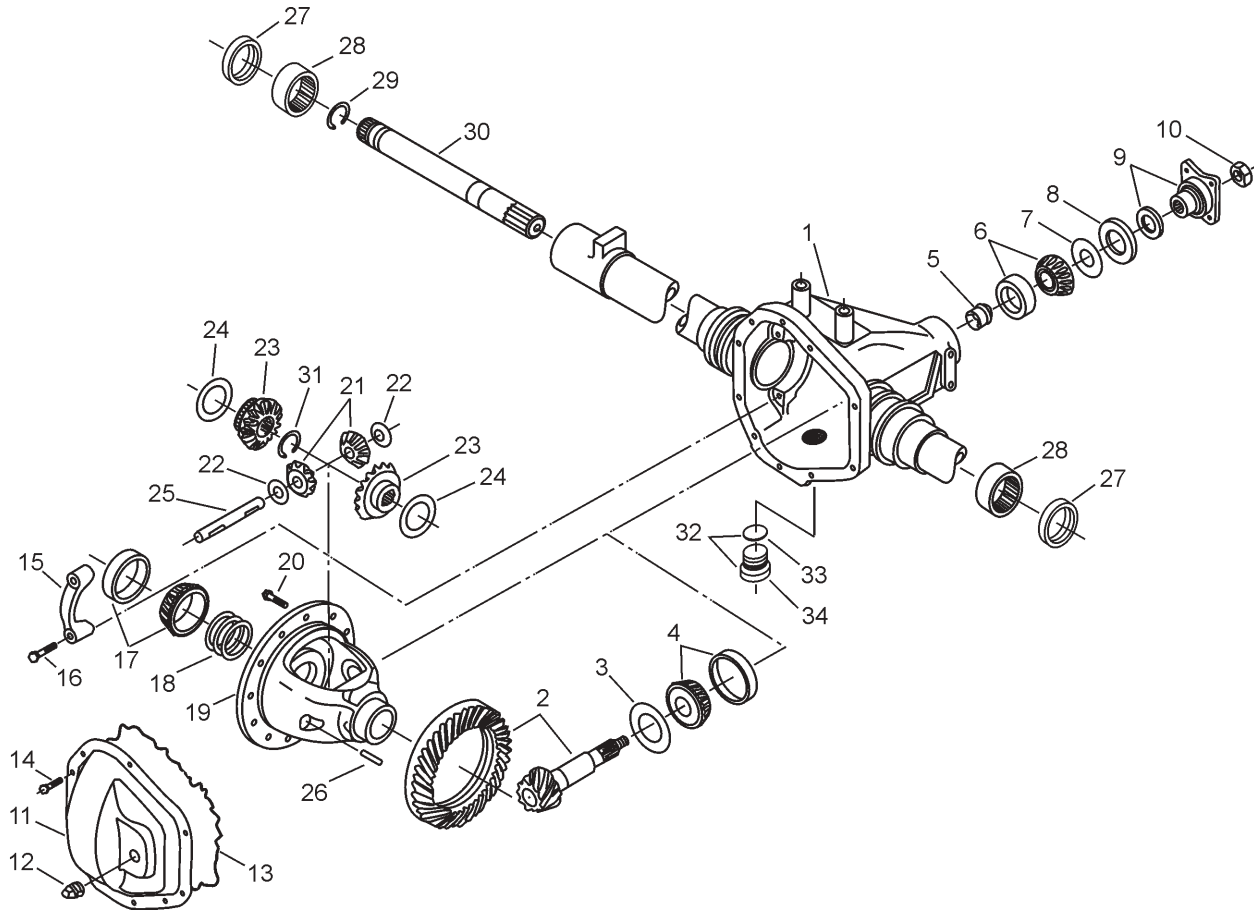
(3) Contact Vehicle Manufacturer
 (6) See Shim Table in the back of this catalog

Jeep 2000-2005

Model Super 30 /186 Front Axles for

KJ (Liberty)

Jeep Model Super 30 /186 Front - KJ Exploded View



Jeep Model Super 30 /186 Front - KJ

Parts Listing

ITEM NO.	PART NUMBER	DESCRIPTION	ITEM NO.	PART NUMBER	DESCRIPTION
1	-(3)	Housing - Axle Service	17	706016X	KIT - Differential Bearing
2	-(1)	Drive Pinion & Gear Assembly	18	701173X	PKG - Differential Shim
3	50615- (6)	Slinger - Variable Thicknesses	19	-(1)	Case - Differential
	703007	PKG - Pinion Shims	20	41221	Bolt - Drive Gear (qty 10)
4	707064X	KIT - Inner Pinion Bearing	21	46504	Pinion - Differential
5	50614	Collapsible Spacer	22	34096	Thrustwasher - Diff Pinion
6	706015X	KIT - Outer Pinion Bearing	23	46502	Gear - Differential
7	42778	Slinger - Outer Pinion Bearing	24	34095	Thrustwasher - Diff Gear
8	50619	Seal - Pinion Oil	25	41648	Shaft - Differential
9	-(2)	Companion Flange Assembly	26	13449	Lock - Differential Shaft
10	44189	Pinion Nut	27	50608	Seal
	708116	KIT - Carrier Cover (11,12,13,14)	28	566131	Bearing
11	84035	Carrier Cover	29	51442	Retainer Ring
12	43180	Plug - Carrier Cover	30	84270	Shaft
13	38615	RTV Silicone Sealant	31	51442	Retainer Ring
14	40286-5	Bolt - Carrier Cover (qty 10)	32	80744	Plug Assembly (inc 33,34)
15	-(3)	Differential Bearing Cap	33	50694	O-Ring
16	40284-1	Bolt - Differential Bearing Cap	34	50690	Plug - Socket Head

- (1) See "Bill of Material Table" on next page
 (2) See "Variable Parts Table" within this section
 (3) Contact Vehicle Manufacturer
 (4) Not Sold Separately
 (6) See Shim Table in the back of this catalog

Jeep Model Super 30 /186 Front - KJ

Bill of Material Table

Axle			Axle Kits				Shaft & Joint Assy.	
Bill of Material	Diff. Type	Ratio	Ring Gear & Pinion Kit ⁽⁷⁾	Differential			Right Hand Shaft Assy.	Left Hand Shaft Assy.
				Case Assy. Kit ⁽⁸⁾	Case Kit	Inner Parts Kit		
2000-01 KJ								
611036	Standard	4.10	84006-5	708115	708114	708113	-(3)	-(3)
611092	Standard	4.10	84006-5	708115	708114	708113	-(3)	-(3)
611231	Standard	4.10	84006-5	708115	708114	708113	-(3)	-(3)
611383	Standard	4.10	84006-5	708115	708114	708113	-(3)	-(3)
2001 KJ								
611034	Standard	3.73	84004-5	708115	708114	708113	-(3)	-(3)
611090	Standard	3.73	84004-5	708115	708114	708113	-(3)	-(3)
2002-03 KJ								
611230	Standard	3.73	84004-5	708115	708114	708113	-(3)	-(3)
2003 KJ								
611363	Standard	4.10	84006-5	709115	708114	708113	-(3)	-(3)
611384	Standard	4.10	84006-5	708115	708114	708113	-(3)	-(3)
2004 KJ								
611382	Standard	3.73	84004-5	708115	708114	708113	-(3)	-(3)
2005 KJ								
2002427	Standard	4.10	84006-5	708115	708114	708113	-(3)	-(3)
2002487	Standard	3.55	85407-5	708254	-	708113	-(3)	-(3)
2002505	Standard	3.55	85407-5	708254	-	708113	-(3)	-(3)
611344	Standard	3.55	85407-5	708254	-	708113	-(3)	-(3)
611365	Standard	3.55	85407-5	708254	-	708113	-(3)	-(3)

- (3) Contact Vehicle Manufacturer
- (7) See Ring Gear & Pinion Kits in XGI Catalog for ratio & tooth combinations.
- (8) See Differential Case Assy Kits in XGI Catalog for spline data & ratios.

Variable Parts Listing

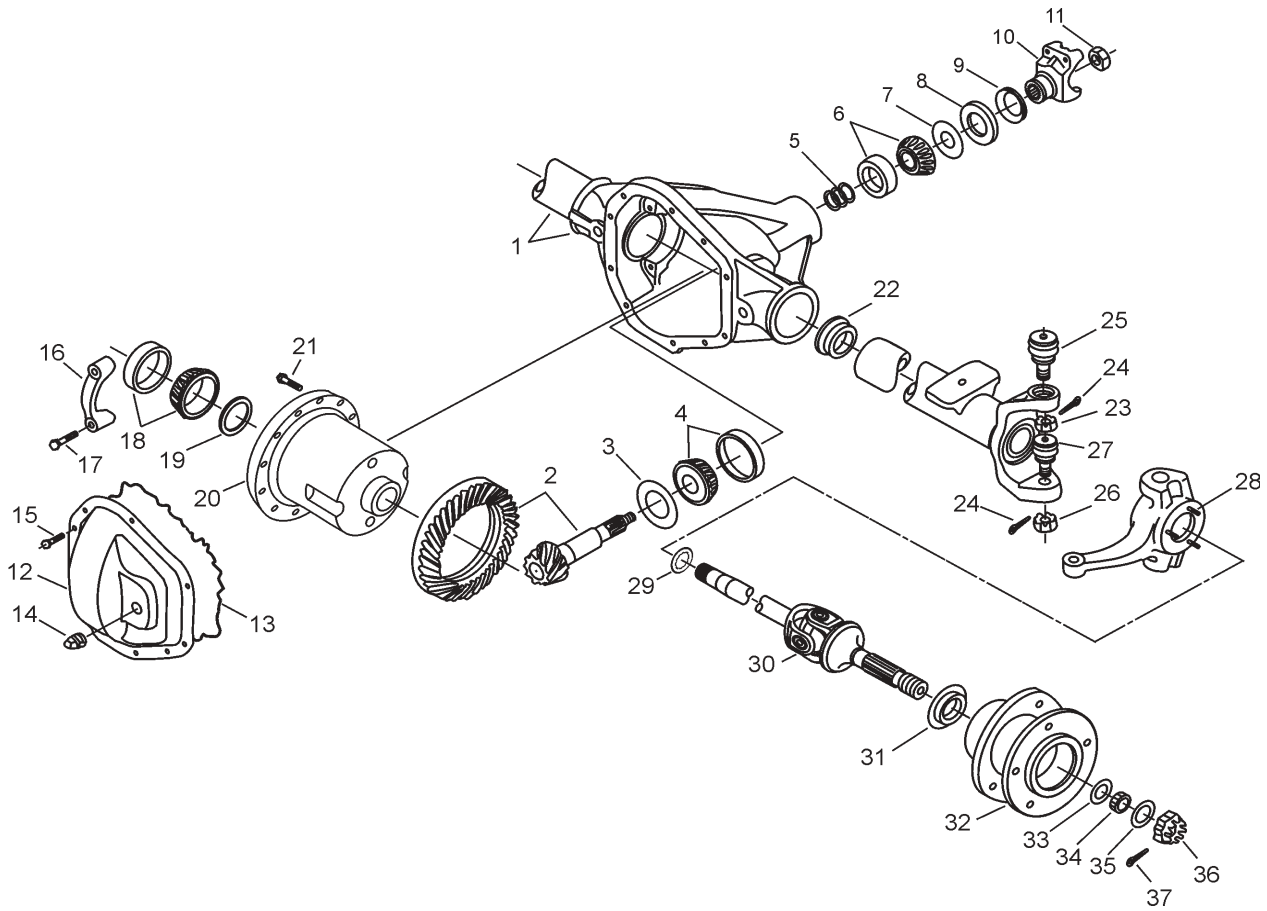
Kits & Parts - Use With All Applications								
Description & Item Number (Refer to "Exploded View" at the front of this section)			Bills of Material					
			2002427 2002487 2002505	611034 611036 611090 611092 611230	611231	611344	611363	
1	Companion Flange Assembly	9	2002415	84679	85749	84679	85749	
			611365 611382 611383	611384				
1	Companion Flange Assembly	9	84679	85749				

Jeep 2003-2005

Model 44 /216 Front Axles for

TJ (Wrangler)

Jeep Model 44 /216 Front Exploded View



Jeep Model 44 /216 Front Parts Listing

ITEM NO.	PART NUMBER	DESCRIPTION	ITEM NO.	PART NUMBER	DESCRIPTION
1	-(3)	Housing - Axle Service	19	708193	PKG - Diff Bearing Shim
2	85106	Drive Pinion & Gear Assembly	20	-(1)	Case - Differential
3	44035-*(6)	Slinger - Inner Pinion Bearing	21	45784-2	Drive Gear Bolt (qty 10)
4	706031X	Kit - Inner Pinion Bearing	22	46563	Seal & Guide Tube
5	701108X	Outer Pinion Shims		706944X	KIT - Socket Assembly
6	706030X	KIT - Outer Pinion Bearing			(inc. 23, 24, 25, 26, 27)
7	13575	Slinger - Pinion Bearing Outer	23	40584	Nut - Hex Slotted
8	50531	Seal - Pinion Oil	24	500024-6	Cotter Pin
9	47762	Oil Seal	25	40916	Socket Assembly
10	2-4-7791-1	End Yoke Assembly	26	43682	Nut - Hex Jam
11	50560	Pinion Nut	27	40583	Socket Assembly
	708175	KIT - Carrier Cover	28	41027	Bolt - Hex (qty 6)
		(inc items 12, 13, 14, 15)	29	2003627	Guide - Axle Shaft
12	42960-2	Carrier Cover	30	-(1)	Shaft & Joint Assembly
13	34685	Gasket - Carrier Cover	31	46988	Slinger - Spindle Yoke
	38615	RTV Silicone Sealant	32	-(3)	Hub Assembly
14	43181	Plug - Carrier Cover	33	40596	Washer - Flat
15	34279	Bolt - Carrier Cover (qty 10)	34	40597	Nut - Hex
16	-(3)	Differential Bearing Cap	35	45749	Washer - Spring Wave
17	48632-1	Bolt - Differential Bearing Cap	36	40598	Nut - Retainer
18	706032X	KIT - Differential Bearing	37	500025-10	Cotter Pin

- (1) See "Bill of Material Table" on next page
(2) See "Variable Parts Table" within this section
(3) Contact Vehicle Manufacturer
(4) Not Sold Separately
(6) See Shim Table in the back of this catalog

Jeep Model 44 /216 Front Bill of Material Table

Axle			Axle Kits				Shaft & Joint Assy.	
Bill of Material	Diff. Type	Ratio	Ring Gear & Pinion Kit ⁽⁷⁾	Differential			Right Hand Shaft Assy.	Left Hand Shaft Assy.
				Case Assy. Kit ⁽⁸⁾	Case Kit	Inner Parts Kit		
2003-04 TJ w/ABS								
611297	Air Locker	4.10	85106-6	84650	- (9)	- (9)	84378-1	84378-2
611315	Air Locker	4.10	85106-6	84650	- (9)	- (9)	84378-1	84378-2
611319	Air Locker	4.10	85106-6	84650	- (9)	- (9)	84378-1	84378-2
611354	Air Locker	4.10	85106-6	84650	- (9)	- (9)	84378-1	84378-2
2005 TJ w/ABS								
2002700	Air Locker	4.10	85106-6	84650	- (9)	- (9)	84378-1	84378-2

- (7) See Ring Gear & Pinion Kits in XGI Catalog for ratio & tooth combinations.
- (8) See Differential Case Assy Kits in XGI Catalog for spline data & ratios.
- (9) Serviced with complete differential case kit only.

Jeep 1999-2002

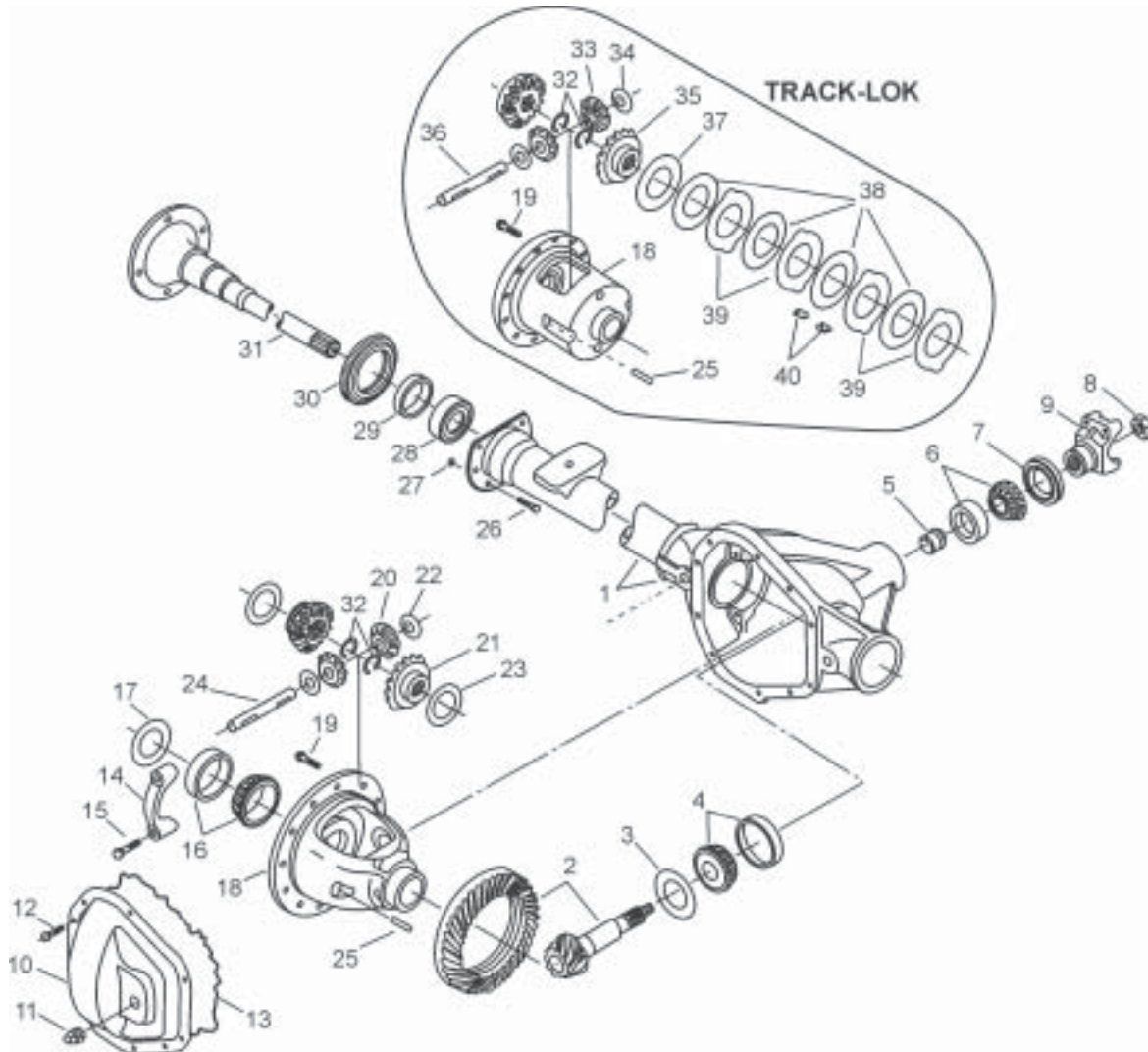
Model 35 /194 Rear Axles for

TJ (Wrangler)

WJ (Grand Cherokee)

XJ (Cherokee)

Jeep Model 35 /194 Rear Exploded View



Jeep Model 35 /194 Rear Parts Listing

ITEM NO.	PART NUMBER	DESCRIPTION	ITEM NO.	PART NUMBER	DESCRIPTION
1	-(3)	Housing - Axle Service	22	34096	Thrustwasher - Diff Pinion (std)
2	-(1)	Drive Pinion & Gear Assembly	23	34095	Thrustwasher - Diff Gear (std)
3	41459-* (6)	Slinger - Variable Thicknesses	24	44594	Shaft - Differential (std)
4	707162X	KIT - Inner Pinion Bearing	25	43245	Pin - Shaft Lock
5	42102	Collapsible Spacer	26	-(3)	Bolt - Brake Mounting
6	706894X	KIT - Outer Pinion Bearing	27	-(3)	Nut - Brake Mounting
7	43085	Seal - Pinion Oil	28	566121	Wheel Bearing Assembly
8	44189	Pinion Nut	29	46485	Wheel Seal
9	-(2)	End Yoke	30	-(4)	Tone Ring (ABS only)
10	43225	Carrier Cover	31	-(1)	Shaft - Axle Flange Drive
11	51789	Plug - Carrier Cover	32	43221	C-Clip
12	34279	Bolt - Carrier Cover (qty 10)	33	-(4)	Pinion - Differential (t/l)
13	38615	RTV Silicone Sealant	34	40266	Thrustwasher - Diff Pinion (t/l)
14	-(3)	Differential Bearing Cap	35	-(4)	Gear - Differential (t/l)
15	48631-1	Bolt - Differential Bearing Cap	36	42990	Shaft - Differential (t/l)
16	706016X	KIT - Differential Bearing		707165X	KIT - Diff Plate & Disc (t/l)
17	42104-* (6)	Differential Spacer (Variable Thicknesses)	37	-(4)	(inc items 37, 38, 39, 40, 25) Plate - Preload Spacer
18	-(1)	Case - Differential	38	-(4)	Disc - Differential
19	-(2)	Bolt - Drive Gear/Package	39	-(4)	Plate - Differential Pressure
20	45787	Pinion - Differential (std)	40	40835	Clip - Diff Clutch Retainer
21	45786	Gear - Differential (std)			

- (1) See "Bill of Material Table" on next page
(2) See "Variable Parts Table" within this section
(3) Contact Vehicle Manufacturer
(4) Not Sold Separately
(6) See Shim Table in the back of this catalog

Jeep Model 35 /194 Rear Bill of Material Table

Axle			Axle Kits				Shaft & Joint Assy.	
Bill of Material	Diff. Type	Ratio	Ring Gear & Pinion Kit ⁽⁷⁾	Differential			Right Hand Shaft Assy.	Left Hand Shaft Assy.
				Case Assy. Kit ⁽⁸⁾	Case Kit	Inner Parts Kit		
1997 1/2-2000 TJ w/ABS								
605992-1	Standard	3.07	707244-1X	75053X	44649	707321X	74356-1X	74356-2X
605992-2	Trac Lok	3.07	707244-1X	74215X	707242X	707184	74356-1X	74356-2X
605992-3	Standard	3.55	707244-7X	75054X	44590	707321X	74356-1X	74356-2X
605992-4	Trac Lok	3.55	707244-7X	74210X	707243X	708184	74356-1X	74356-2X
605992-5	Standard	3.73	707244-8X	75054X	44590	707321X	74356-1X	74356-2X
605992-6	Trac Lok	3.73	707244-8X	74210X	707243X	707349X	74356-1X	74356-2X
605992-7	Standard	4.11	707244-4X	75054X	44590	707321X	74356-1X	74356-2X
605992-8	Trac Lok	4.11	707244-4X	74210X	707243X	708184	74356-1X	74356-2X
1997 1/2-2000 TJ LHD								
605993-1	Standard	3.07	707244-1X	75053X	44649	707321X	73624-1X	73624-2X
605993-2	Trac Lok	3.07	707244-1X	74215X	707242X	708184	73624-1X	73624-2X
605993-3	Standard	3.55	707244-7X	75054X	44590	707321X	73624-1X	73624-2X
605993-4	Trac Lok	3.55	707244-7X	74210X	707243X	708184	73624-1X	73624-2X
605993-5	Standard	4.11	707244-4X	75054X	44590	707321X	73624-1X	73624-2X
605993-6	Trac Lok	4.11	707244-4X	74210X	707243X	708184	73624-1X	73624-2X
605993-7	Standard	3.73	707244-8X	75054X	44590	707321X	73624-1X	73624-2X
605993-8	Trac Lok	3.73	707244-8X	74210X	707243X	708184	73624-1X	73624-2X
1999-2000 XJ								
606195-1	Trac Lok	3.55	707244-7X	74210X	707243X	708184	73624-1X	73624-2X
606196-1	Standard	3.73	707244-8X	75054X	44590	707321X	73624-1X	73624-2X
606196-2	Trac Lok	3.73	707244-8X	74210X	707243X	708184	73624-1X	73624-2X
606196-3	Trac Lok	3.07	707244-1X	74215X	707242X	708184	73624-1X	73624-2X
1999-2000 XJ w/ABS								
606193-1	Standard	3.55	707244-7X	75054X	44590	707321X	74356-1X	74356-2X
606193-2	Trac Lok	3.55	707244-7X	74210X	707243X	708184	74356-1X	74356-2X
606197-1	Standard	3.07	707244-1X	75053X	44649	707321X	74356-1X	74356-2X
606197-2	Trac Lok	3.07	707244-1X	74215X	707242X	708184	74356-1X	74356-2X
606198-1	Trac Lok	3.73	707244-8X	74210X	707243X	708184	74356-1X	74356-2X
1999-2001 XJ w/ABS								
606194-1	Trac Lok	3.55	707244-7X	74210X	707243X	708184	74356-1X	74356-2X
2000-01 XJ								
606316	Trac Lok	3.55	707244-7X	74210X	707243X	708184	73624-1X	73624-2X
2001 XJ								
606559-1	Trac Lok	3.55	707244-7X	74210X	707243X	708184	73624-1X	73624-2X
606560-2	Trac Lok	3.73	707244-8X	74210X	707243X	708184	73624-1X	73624-2X
606560-3	Trac Lok	3.07	707244-1X	74215X	707242X	708184	73624-1X	73624-2X
606651-1	Trac Lok	3.55	76280-6	708110	708137	708184	73624-1X	73624-2X
606651-2	Standard	3.55	76280-6	80880	708142	707321X	73624-1X	73624-2X

NOTE: All Ring & Pinion Kits with base number 706930 are reverse spiral bevel
 (7) See Ring Gear & Pinion Kits in XGI Catalog for ratio & tooth combinations.
 (8) See Differential Case Assy Kits in XGI Catalog for spline data & ratios.

Jeep Model 35 /194 Rear Bill of Material Table

Axle			Axle Kits				Shaft & Joint Assy.	
Bill of Material	Diff. Type	Ratio	Ring Gear & Pinion Kit ⁽⁷⁾	Differential			Right Hand Shaft Assy.	Left Hand Shaft Assy.
				Case Assy. Kit ⁽⁸⁾	Case Kit	Inner Parts Kit		
2001 TJ LHD								
606564-1	Standard	3.07	707244-1X	75053X	44649	707321X	73624-1X	73624-2X
606564-2	Trac Lok	3.07	707244-1X	74215X	707242X	708184	73624-1X	73624-2X
606564-5	Standard	4.11	707244-4X	75054X	44590	707321X	73624-1X	73624-2X
606564-6	Trac Lok	4.11	707244-4X	74210X	707243X	708184	73624-1X	73624-2X
606564-7	Standard	3.73	707244-8X	75054X	44590	707321X	73624-1X	73624-2X
606564-8	Trac Lok	3.73	707244-8X	74210X	707243X	708184	73624-1X	73624-2X
2001 XJ Diesel w/ABS								
606652-1	Trac Lok	3.73	76281-7	708110	708137	708184	73624-1X	73624-2X
606652-2	Trac Lok	3.07	84118-5	708138	708139	708184	73624-1X	73624-2X
606654	Trac Lok	3.73	76281-7	708110	708137	708184	74356-1X	74356-2X
2001 TJ ABS								
606563-1	Standard	3.07	707244-1X	75053X	44649	707321X	74356-1X	74356-2X
606563-6	Trac Lok	3.73	707244-8X	74210X	707243X	708184	74356-1X	74356-2X
2001 XJ w/ABS								
606557-1	Standard	3.55	707244-7X	75054X	44590	707321X	74356-1X	74356-2X
606557-2	Trac Lok	3.55	707244-7X	74210X	707243X	708184	74356-1X	74356-2X
606561-1	Standard	3.07	707244-1X	75053X	44649	707321X	74356-1X	74356-2X
606561-2	Trac Lok	3.07	707244-1X	74215X	707242X	708184	74356-1X	74356-2X
606562-1	Trac Lok	3.73	707244-8X	74210X	707243X	708184	74356-1X	74356-2X
606649-1	Standard	3.55	76280-6	80880	708142	707321X	74356-1X	74356-2X
606649-2	Trac Lok	3.55	76280-6	708110	708137	708184	74356-1X	74356-2X
606650	Trac Lok	3.55	76280-6	708110	708137	708184	74356-1X	74356-2X
606653-1	Standard	3.07	84118-5	708141	708140	707321X	74356-1X	74356-2X
606653-2	Trac Lok	3.07	84118-5	708138	708139	708184	74356-1x	75356-2x
2001-02 TJ LHD								
606656-1	Standard	3.07	84118-5	708141	708140	707321X	73624-1X	73624-2X
606656-2	Trac Lok	3.07	84118-5	708138	708139	708184	73624-1X	73624-2X
606656-3	Standard	4.11	80613-6	80880	708142	707321X	73624-1X	73624-2X
606656-4	Trac Lok	4.11	80613-6	708110	708137	708184	73624-1X	73624-2X
606656-5	Standard	3.73	76281-7	80880	708142	707321X	73624-1X	73624-2X
606656-6	Trac Lok	3.73	76281-7	708183	708185	708184	73624-1X	73624-2X
2001-02 TJ ABS								
606655-1	Standard	3.07	84118-5	708141	708140	707321X	74356-1X	74356-2X
606655-2	Trac Lok	3.73	76281-7	708183	708185	708184	74356-1X	74356-2X
2002 TJ LHD								
606656-7	Standard	4.56	85071-5	80880	708142	707321X	73624-1X	73624-2X

NOTE: All Ring & Pinion Kits with base number 706930 are reverse spiral bevel

(7) See Ring Gear & Pinion Kits in XGI Catalog for ratio & tooth combinations.

(8) See Differential Case Assy Kits in XGI Catalog for spline data & ratios.

Jeep Model 35 /194 Rear Variable Parts Listing

Kits & Parts - Use With All Applications							
Description & Item Number (Refer to the "Exploded View" at the front of this section)			Bills of Material				
			605992 605993	606193 606194	606195	606196 606197	606198
1	End Yoke	9	2-4-7991-1	2-4-8311-1	2-4-7311-1	2-4-7631-1	2-4-7631-1
2	Bolt - Drive Gear/Package	19	41221	41221	41221	41221	-
			606316	606557 606559	606560 606561 606562	606563 606564	606649
1	End Yoke	9	2-4-7631-1	2-4-8311-1	2-4-7631-1	2-4-7991-1	2-4-8311-1
2	Bolt - Drive Gear/Package	19	41221	41221	41221	41221	701071-10
			606650	606651	606652 606653 606654	606655 606656	
1	End Yoke	9	2-4-8311-1	2-4-8311-1	2-4-7631-1	2-4-7991-1	
2	Bolt - Drive Gear/Package	19	45784-2	701071-10	701071-10	701071-10	

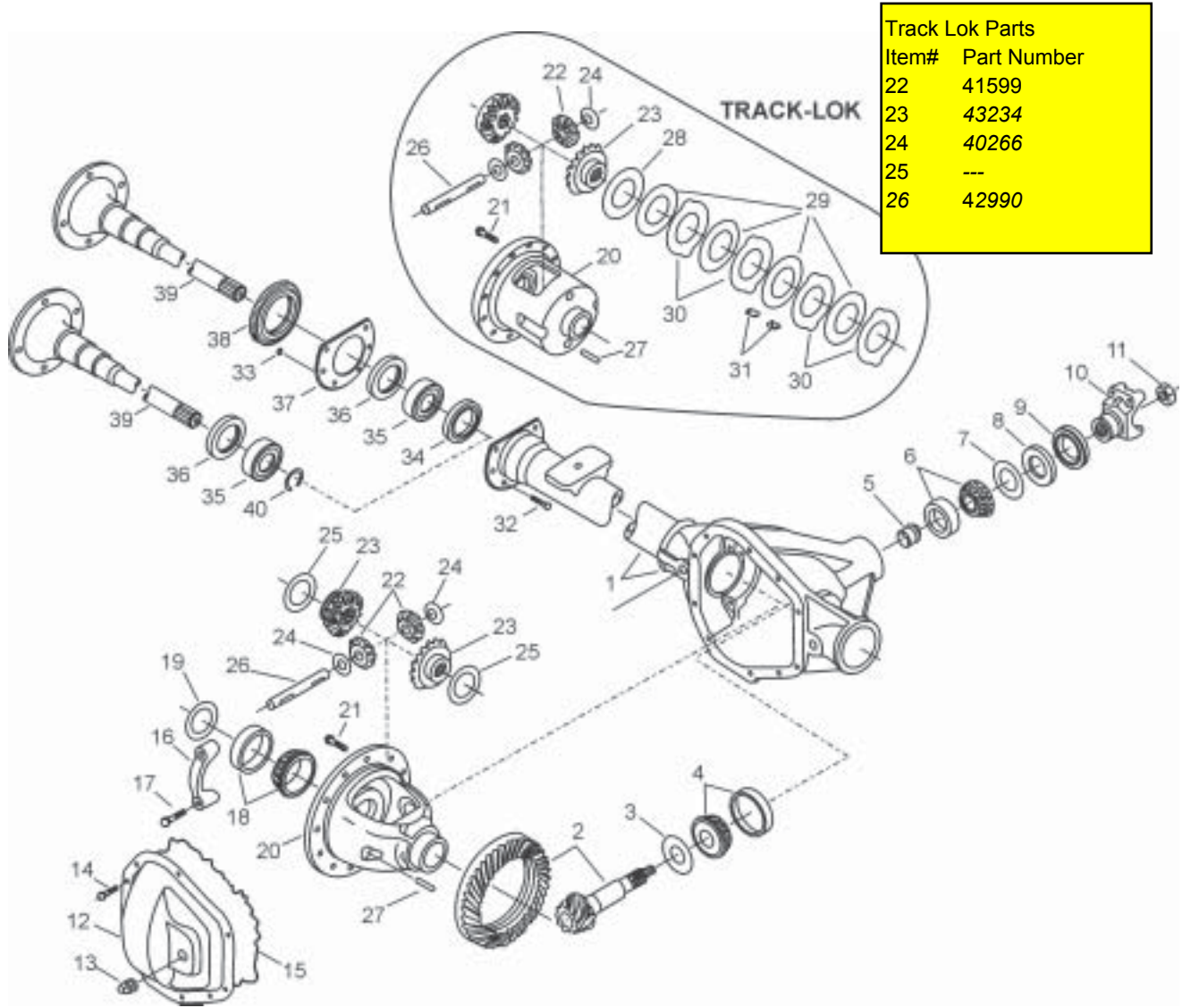
Jeep 1999-2003

Model Super 35 /198 Rear Axles for

WJ (Grand Cherokee)

XJ (Cherokee)

Jeep Model Super 35 /198 Rear Exploded View



Variable Parts Listing

Kits & Parts - Use With All Applications						
Description & Item Number (Refer to "Exploded View" at the front of this section)			Bills of Material			
			606005	606551	606716	606969
1	Collapsible Spacer	5	48717	48717	42102	48717
2	Seal - Pinion Oil	8	49153	49153	43085	49153
3	Seal - Oil	9	48008	48008	-	48008
4	End Yoke	10	2-4-7301-1	2-4-8311-1	2-4-7631-1	2-4-7301-1
5	Retainer Ring - Wheel Bearing	34	49766	49766	-	49766
6	Wheel Bearing Assembly	35	566075	566075	566121	566075
7	Seal - Outboard Shaft	36	47787	47787	46485	47787
8	Oil Seal Retainer	37	76466X	76466X	-	76466X
9	C-Clip	40	-	-	43221	-

Jeep Model Super 35 /198 Rear Parts Listing

ITEM NO.	PART NUMBER	DESCRIPTION	ITEM NO.	PART NUMBER	DESCRIPTION
1	-(3)	Housing - Axle Service	22	45787	Pinion - Differential (std)
2	-(1)	Drive Pinion & Gear Assembly	23	45786	Gear - Differential (std)
3	41459- (6)	Slinger - Variable Thicknesses	24	34096	Thrustwasher - Diff Pinion (std)
4	707162X	KIT - Inner Pinion Bearing	25	34095	Thrustwasher - Diff Gear (std)
5	-(2)	Collapsible Spacer	26	44594	Shaft - Differential (std)
6	706894X	KIT - Outer Pinion Bearing	27	43245	Pin - Shaft Lock
7	50068	Slinger - Pinion Oil Seal Outer		707165X	KIT - Diff Plate & Disc (t/l)
8	-(2)	Seal - Pinion Oil			(inc items 27, 28, 29, 30, 31)
9	-(2)	Seal - Oil	28	-(4)	Plate - Preload Spacer
10	-(2)	End Yoke	29	-(4)	Disc - Differential
11	44189	Pinion Nut	30	-(4)	Plate - Differential Pressure
12	47415	Carrier Cover	31	40835	Clip - Diff Clutch Retainer
13	51489	Plug - Carrier Cover	32	-(3)	Bolt - Brake Mounting
14	34279	Bolt - Carrier Cover (qty 10)	33	-(3)	Nut - Brake Mounting
15	38615	RTV Silicone Sealant	34	-(2)	Retainer Ring - Wheel Bearing
16	-(3)	Differential Bearing Cap	35	-(2)	Wheel Bearing Assembly
17	48631-1	Bolt - Differential Bearing Cap	36	-(2)	Seal - Outboard Shaft
18	706016	KIT - Differential Bearing	37	-(2)	Oil Seal Retainer
19	42104(6)	Diff. Spacer - variable thickness	38	-(4)	Tone Ring (ABS only)
20	-(1)	Case - Differential	39	-(1)	Shaft - Axle Flanged Drive
21	45784-2	Bolt - Drive Gear	40	-(2)	C-Clip

- (1) See "Bill of Material Table" on next page
 (2) See "Variable Parts Table" within this section
 (3) Contact Vehicle Manufacturer
 (4) Not Sold Separately
 (6) See Shim Table in the back of this catalog

Bill of Material Table

Axle			Axle Kits				Shaft & Joint Assy.	
Bill of Material	Diff. Type	Ratio	Ring Gear & Pinion Kit ⁽⁷⁾	Differential			Right Hand Shaft Assy.	Left Hand Shaft Assy.
				Case Assy. Kit ⁽⁸⁾	Case Kit	Inner Parts Kit		
1999-2000 WJ w/ABS								
606005-1	Standard	3.55	76280-6	708109	48178	707321X	76467-3X	76467-4X
606005-2	Trac Lok	3.55	84214-5	708110	708137	708184	76467-3X	76467-4X
606005-3	Standard	3.73	76281-6	708109	48178	707321X	76467-3X	76467-4X
606005-4	Trac Lok	3.73	76281-6	708110	708137	708184	76467-3X	76467-4X
2001 WJ w/ABS								
606551-2	Standard	3.55	84214-5	708109	48178	707321X	76467-3X	76467-4X
606551-3	Standard	3.73	84215-5	708109	48178	707321X	76467-3X	76467-4X
606551-4	Trac Lok	3.31	80620-5	-	-	-	76467-3X	76467-4X
606551-5	Trac Lok	3.55	84215-5	708110	708137	708184	76467-3X	76467-4X
606551-6	Trac Lok	3.73	84214-5	708110	48206	708184	76467-3X	76467-4X
2001 XJ w/ABS								
606716	Trac Lok	3.55	76280-6	708110	708137	708184	73624-1X	73624-2X
2003 WJ w/ABS								
606969-2	Standard	3.55	84214-5	708109	48178	707321X	76467-3X	76467-4X
606969-3	Standard	3.73	84215-5	708109	48178	707321X	76467-3X	76467-4X

NOTE: All Ring & Pinion Kits with base number 706930 are reverse spiral bevel

(7) See Ring Gear & Pinion Kits in XGI Catalog for ratio & tooth combinations.

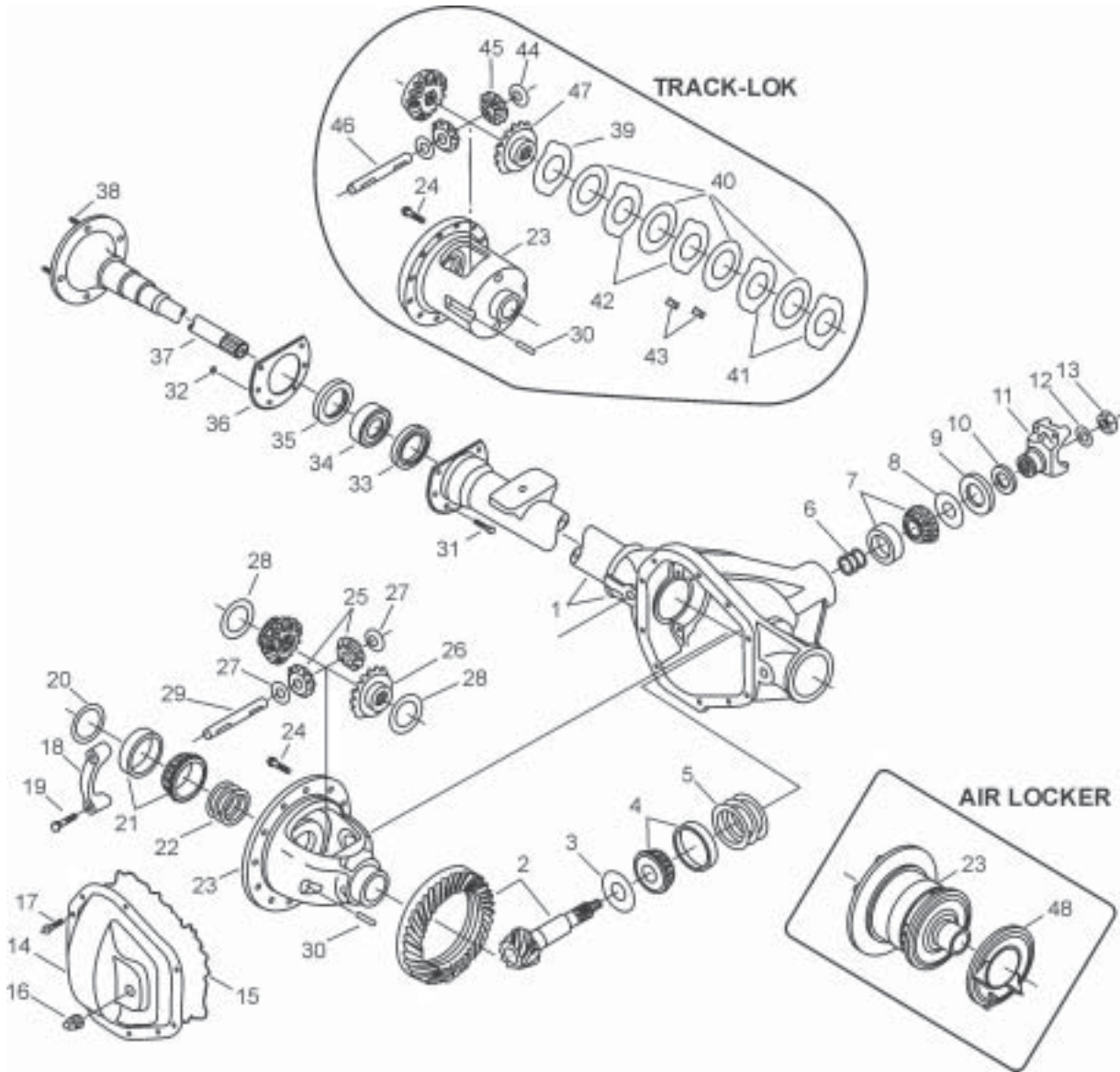
(8) See Differential Case Assy Kits in XGI Catalog for spline data & ratios.

Jeep 2001-2005

Model 44 /216 Rear Axles for

TJ (Wrangler)

Jeep Model 44 /216 Rear Exploded View



Jeep Model 44 /216 Rear Parts Listing

ITEM NO.	PART NUMBER	DESCRIPTION	ITEM NO.	PART NUMBER	DESCRIPTION
1	-(3)	Housing - Axle Service	24	-(2)	Bolt - Drive Gear/Package
2	-(1)	Drive Pinion & Gear Assembly	25	45872	Pinion - Differential (std)
3	-(2)	Inner Pinion Shim	26	45870	Gear - Differential (std)
4	706031X	Kit - Inner Pinion Bearing	27	13338-3	Thrustwasher - Diff Pinion (std)
	-(2)	PKG - Pinion Shim (inc items 4,5,10,11,16 or 3,4)	28	32121	Thrustwasher - Diff Gear (std)
5	-(2)	Inner Pinion Shims (See Shim Packages)	29	39194	Shaft - Differential (std)
6	-	Outer Pinion Shims (See Shim Packages)	30	13449	Lock - Differential Shaft
7	706030X	Kit - Outer Pinion Bearing	31	-(3)	Bolt - Brake Mounting
8	13575	Slinger - Outer Pinion Bearing	32	-(3)	Brake Mounting Nut
9	-(2)	Seal - Pinion Oil		-(2)	KIT - Unit Bearing and Seal (inc items 32, 33, 34, 35)
10	-(2)	Oil Seal	33	36797	Retainer Ring - Wheel Bearing
11	-(2)	End Yoke	34	565903	Wheel Bearing Assembly
12	-(2)	Washer - Pinion Nut	35	35239	Seal - Outboard Shaft
13	-(2)	Pinion Nut	36	-(2)	Oil Seal Retainer
	-(2)	KIT - Carrier Cover	37	-(1)	Shaft - Axle Flange Drive
14	42960-1	Carrier Cover	38	-(2)	Bolt - Wheel
	38615	RTV Silicone Sealant		-(2)	KIT - Diff Plate and Disc (t/l) (inc items 38, 39, 40, 41, 42)
15	34685	Gasket	39	-(4)	Plate - Preload Spacer
16	-(2)	Plug - Carrier Cover	40	-(4)	Disc - Differential
17	34279	Bolt - Carrier Cover (qty 10)	41	-(4)	Plate - Differential
18	-(3)	Differential Bearing Cap	42	-(4)	Plate - Differential Pressure
19	48632-1	Bolt - Differential Bearing Cap	43	40835	Clip - Diff Clutch Retainer
20	-(2)	Spacer - Differential Bearing	44	13338-3	Thrustwasher - Diff Pinion (t/l)
21	706032X	Kit - Differential Bearing	45	32808	Pinion - Differential (t/l)
22	-(2)	PKG - Diff Bearing Shim (inc 15)		2001899	Pinion - Diff. (t/l) net formed
23	-(4)	Case - Differential (Air Locker serviced as an assembled unit)	46	39194	Shaft - Differential (t/l)
			47	35657	Gear - Differential (t/l)
				2001901	Gear - Differential(t/l) net formed
			48	84307	Actuator Assembly

- (1) See "Bill of Material Table" on next page
(2) See "Variable Parts Table" within this section
(3) Contact Vehicle Manufacturer
(4) Not Sold Separately

Jeep Model 44 /216 Rear Bill of Material Table

Axle			Axle Kits				Shaft & Joint Assy.	
Bill of Material	Diff. Type	Ratio	Ring Gear & Pinion Kit ⁽⁷⁾	Differential			Right Hand Shaft Assy.	Left Hand Shaft Assy.
				Case Assy. Kit ⁽⁸⁾	Case Kit	Inner Parts Kit		
2001 TJ RHD								
606566-1	Trac Lok	3.07	22106-5X	707115X	707116X	707099X	75786-1X	75786-2X
606566-4	Trac Lok	3.73	22736-5X	707115X	707116X	707099X	75786-1X	75786-2X
2001 TJ LHD								
606565-4	Trac Lok	3.73	22736-5X	707115X	707116X	707099X	75786-1X	75786-2X
606567-3	Standard	3.73	22736-5X	707021-1X	706024X	707025-1X	75786-1X	75786-2X
2001-02 TJ								
606646	Trac Lok	3.73	22736-5X	707115X	707116X	708204	75786-1X	75786-2X
2001-02 TJ RHD								
606647-1	Trac Lok	3.07	22106-5X	707115X	707116X	708204	75786-1X	75786-2X
606647-2	Trac Lok	3.73	22736-5X	707115X	707116X	708204	75786-1X	75786-2X
2001-02 TJ LHD								
606648	Standard	3.73	22736-5X	707021-1X	706024X	707025-1X	75786-1X	75786-2X
2002 TJ								
606626	Trac Lok	3.73	22736-5X	707115X	707116X	707099X	84377-1	84377-2
2002 TJ RHD								
606642	Air Locker	4.10	74720-5X	84336	—	—	84377-1	84377-2
2003 TJ								
606850	Trac Lok	3.73	22736-5X	707115X	707116X	708204	84377-1	84377-2
606959	Trac Lok	3.73	85610-5	708218	708219	708204	84377-1	84377-2
606988	Trac Lok	3.73	85610-5	708218	708219	708204	84377-1	84377-2
2003 TJ RHD								
606851-1	Trac Lok	3.07	22106-5X	707115X	707116X	708204	85233-1	85233-2
606851-2	Trac Lok	3.73	22736-5X	707115X	707116X	708204	85233-1	85233-2
606866	Air Locker	4.10	85106-6	84336	—	—	84377-1	84377-2
606941	Air Locker	4.10	85106-6	84336	—	—	84377-1	84377-2
606953	Air Locker	4.10	85106-6	84336	—	—	84377-1	84377-2
606989	Air Locker	4.10	85106-6	84336	—	—	84377-1	84377-2
2003 TJ LHD								
2003690	Trac Lok	4.10	85106-6	708218	708219	708204	85326-1	85326-2
606852	Standard	3.73	22736-5X	707021-1X	706024X	707025-1X	85233-1	85233-2
606875	Trac Lok	4.10	74720-5X	707115X	707116X	707099X	85326-1	85326-2
607011	Trac Lok	4.10	85106-6	708218	708219	708204	85326-1	85326-2
607012	Standard	3.07	85609-5	708216	708217	707025-1X	85233-1	85233-2
2003 TJ RHD w/ABS								
607015-1	Trac Lok	3.07	85609-6	708218	708219	708204	85945-1	85945-2
607016-1	Standard	3.07	85609-6	708216	708217	707025-1X	85945-1	85945-2
2003 TJ LHD w/ABS								
607015-2	Standard	3.07	85609-6	708216	708217	707025-1X	85945-1	85945-2

NOTE: All Ring & Pinion Kits with base number 706930 are reverse spiral bevel
 (7) See Ring Gear & Pinion Kits in XGI Catalog for ratio & tooth combinations.
 (8) See Differential Case Assy Kits in XGI Catalog for spline data & ratios.

Jeep Model 44 /216 Rear Bill of Material Table

Axle			Axle Kits				Shaft & Joint Assy.	
Bill of Material	Diff. Type	Ratio	Ring Gear & Pinion Kit ⁽⁷⁾	Differential			Right Hand Shaft Assy.	Left Hand Shaft Assy.
				Case Assy. Kit ⁽⁸⁾	Case Kit	Inner Parts Kit		
2003-04 TJ RHD								
606960-1	Trac Lok	3.07	85609-5	708218	708219	708204	85233-1	85233-2
606960-2	Trac Lok	3.73	85610-5	708218	708219	708204	85233-1	85233-2
2003-04 TJ LHD								
606961	Standard	3.73	85610-5	708216	708217	707025-1X	85233-1	85233-2
2003-05 TJ								
607008	Trac Lok	3.73	85610-5	708218	708219	708204	84377-1	84377-2
2004 TJ								
2003689	Trac Lok	3.73	85610-5	708218	708219	708204	84377-1	84377-2
2004-05 TJ								
606998	Trac Lok	3.73	85610-5	708218	708219	708204	84377-1	84377-2
2004-05 TJ RHD								
607006-1	Trac Lok	3.07	85609-5	708218	708219	708204	85233-1	85233-2
607006-2	Trac Lok	3.73	85610-5	708218	708219	708204	85233-1	85233-2
2004-05 TJ LHD								
607007	Standard	3.73	85610-5	708216	708217	707025-1X	85233-1	85233-2
2005 TJ								
2003688	Trac Lok	3.73	85610-5	708218	708219	708204	84377-1	84377-2
2004422	Trac Lok	3.73	85610-5	708218	708219	708204	84377-1	84377-2
2005 TJ RHD								
2002406	Air Locker	4.10	85106-6	84336	—	—	84377-1	84377-2
2003687	Air Locker	4.10	85106-6	84336	—	—	84377-1	84377-2
2004040	Air Locker	4.10	85106-6	84336	—	—	84377-1	84377-2
2004424	Air Locker	4.10	85106-6	84336	—	—	84377-1	84377-2
607009	Air Locker	4.10	85106-6	84336	—	—	84377-1	84377-2

NOTE: All Ring & Pinion Kits with base number 706930 are reverse spiral bevel

(7) See Ring Gear & Pinion Kits in XGI Catalog for ratio & tooth combinations.

(8) See Differential Case Assy Kits in XGI Catalog for spline data & ratios.

Jeep Model 44 /216 Rear Variable Parts Listing

Kits & Parts - Use With All Applications							
Description & Item Number (Refer to "Exploded View" at the front of this section)			Bills of Material				
			2002406	2003687	2003688	2003689	2003690
1	Inner Pinion Shim	3	44453- (6)	44453- (6)	44453- (6)	44453- (6)	44453- (6)
2	PKG - Diff & Pinion Shim	-	-	-	-	-	-
3	PKG - Pinion Shim	-	708192	708192	708192	708192	708192
4	Inner Pinion Shims	5	-	-	-	-	-
5	Seal - Pinion Oil	9	50531	50531	50660	50660	50660
6	Oil Seal	10	47762	47762	-	-	-
7	End Yoke	11	2-4-7791-1	2-4-7791-1	2-4-8141-1	2-4-8141-1	2-4-8141-1
8	Washer - Pinion Nut	12	-	-	30186	30186	-
9	Pinion Nut	13	50560	50560	30185	30185	50560
10	KIT - Carrier Cover	-	707111X	707111X	707110X	707110X	707110X
11	Plug - Carrier Cover	16	43181	43181	43180	43180	43180
12	Spacer - Differential Bearing	20	47252- (6)	47252- (6)	47252- (6)	47252- (6)	47252- (6)
13	PKG - Diff Bearing Shim (inc 15)	22	-	-	-	-	-
14	Bolt - Drive Gear/Package	24	701071-10	701071-10	701071-10	701071-10	701071-10
15	KIT - Unit Bearing and Seal	-	708174	708174	708174	708174	708174
16	Oil Seal Retainer	36	51762	51762	51762	51762	51762
17	Bolt - Wheel	38	45712-1	45712-1	45712-1	45712-1	45712-1
18	KIT - Diff Plate and Disc (t/l)	-	-	-	708203	708203	708203
			2004040	2004422	2004424	606565	606566
1	Inner Pinion Shim	3	44453- (6)	44453- (6)	44453- (6)	-	-
2	PKG - Diff & Pinion Shim	-	-	-	-	706376X	706376X
3	PKG - Pinion Shim	-	708192	708192	708192	706358X	706358X
4	Inner Pinion Shims	5	-	-	-	30210- (6)	30210- (6)
5	Seal - Pinion Oil	9	50531	50660	50531	44895	44895
6	Oil Seal	10	47762	-	47762	-	-
7	End Yoke	11	2-4-7791-1	2-4-8141-1	2-4-7791-1	2-4-8141-1	2-4-8141-1
8	Washer - Pinion Nut	12	-	30186	-	30186	30186
9	Pinion Nut	13	50560	30185	50560	30185	30185
10	KIT - Carrier Cover	-	707111X	707110X	707111X	707110X	707110X
11	Plug - Carrier Cover	16	43181	43180	43181	43180	43180
12	Spacer - Differential Bearing	20	47252- (6)	47252- (6)	47252- (6)	-	-
13	PKG - Diff Bearing Shim (inc 15)	22	-	-	-	706086X	706086X
14	Bolt - Drive Gear/Package	24	701124X	701071-10	701071-10	701071X	701071X
15	KIT - Unit Bearing and Seal	-	708174	708174	708174	707374-1X	707374-1X
16	Oil Seal Retainer	36	51762	51762	51762	47160	47160
17	Bolt - Wheel	38	45712-1	45712-1	45712-1	32983	32983
18	KIT - Diff Plate and Disc (t/l)	-	-	708203	-	706352X	706352X

(3) Contact Vehicle Manufacturer

(6) See Shim Table in the back of this catalog

Jeep Model 44 /216 Rear Variable Parts Listing

Kits & Parts - Use With All Applications							
Description & Item Number (Refer to "Exploded View" at the front of this section)			Bills of Material				
			606567	606626	606642	606646	606647
1	Inner Pinion Shim	3	-	-	-	-	-
2	PKG - Diff & Pinion Shim	-	706376X	706376X	706376X	706376X	706376X
3	PKG - Pinion Shim	-	706358X	706358X	706358X	706358X	706358X
4	Inner Pinion Shims	5	30210- (6)	30210- (6)	30210- (6)	30210- (6)	30210- (6)
5	Seal - Pinion Oil	9	44895	44895	50660	50660	50660
6	Oil Seal	10	-	-	-	-	-
7	End Yoke	11	2-4-8141-1	2-4-8141-1	2-4-7791-1	2-4-8141-1	2-4-8141-1
8	Washer - Pinion Nut	12	30186	30186	-	30186	30186
9	Pinion Nut	13	30185	30185	50560	30185	30185
10	KIT - Carrier Cover	-	707110X	707110X	707111X	707110X	707110X
11	Plug - Carrier Cover	16	43180	43180	43181	43180	43180
12	Spacer - Differential Bearing	20	-	-	-	-	-
13	PKG - Diff Bearing Shim (inc 15)	22	706086X	706086X	706086X	706086X	706086X
14	Bolt - Drive Gear/Package	24	701071X	701071X	701124X	701071X	701071X
15	KIT - Unit Bearing and Seal	-	707374-1X	708174	708174	707374-1X	707374-1X
16	Oil Seal Retainer	36	47160	51762	51762	47160	47160
17	Bolt - Wheel	38	32983	45712-1	45712-1	32983	32983
18	KIT - Diff Plate and Disc (t/l)	-	-	706352X	-	708203	708203
			606648	606850	606851	606852	606866
1	Inner Pinion Shim	3	-	-	-	-	44453- (6)
2	PKG - Diff & Pinion Shim	-	706376X	706376X	706376X	706376X	-
3	PKG - Pinion Shim	-	706358X	706358X	706358X	706358X	708192
4	Inner Pinion Shims	5	30210- (6)	30210- (6)	30210- (6)	30210- (6)	-
5	Seal - Pinion Oil	9	50660	50660	50660	50660	50531
6	Oil Seal	10	-	-	-	-	47762
7	End Yoke	11	2-4-8141-1	2-4-8141-1	2-4-8141-1	2-4-8141-1	2-4-7791-1
8	Washer - Pinion Nut	12	30186	30186	30186	30186	-
9	Pinion Nut	13	30185	30185	30185	30185	50560
10	KIT - Carrier Cover	-	707110X	707110X	707110X	707110X	707111X
11	Plug - Carrier Cover	16	43180	43180	43180	43180	43181
12	Spacer - Differential Bearing	20	-	-	-	-	47252- (6)
13	PKG - Diff Bearing Shim (inc 15)	22	706086X	706086X	708193	706086X	-
14	Bolt - Drive Gear/Package	24	701071X	701071X	701071X	701071X	701071-10
15	KIT - Unit Bearing and Seal	-	707374-1X	708174	707374-1X	707374-1X	708174
16	Oil Seal Retainer	36	47160	51762	47160	47160	51762
17	Bolt - Wheel	38	32983	45712-1	45712-1	45712-1	45712-1
18	KIT - Diff Plate and Disc (t/l)	-	-	708203	708203	-	-

(3) Contact Vehicle Manufacturer

(6) See Shim Table in the back of this catalog

Jeep Model 44 /216 Rear Variable Parts Listing

Kits & Parts - Use With All Applications							
Description & Item Number (Refer to "Exploded View" at the front of this section)			Bills of Material				
			606875	606941	606953	606959	606960
1	Inner Pinion Shim	3	44453- (6)	-	-	-	-
2	PKG - Diff & Pinion Shim	-	-	706376X	706376X	706376X	706376X
3	PKG - Pinion Shim	-	708192	706358X	706358X	706358X	706358X
4	Inner Pinion Shims	5	-	30210- (6)	30210- (6)	30210- (6)	30210- (6)
5	Seal - Pinion Oil	9	50660	50531	50531	50660	50660
6	Oil Seal	10	-	47762	-	-	-
7	End Yoke	11	2-4-8141-1	2-4-7791-1	2-4-7791-1	2-4-8141-1	2-4-8141-1
8	Washer - Pinion Nut	12	30186	-	47762	30186	30186
9	Pinion Nut	13	30185	50560	50560	30185	30185
10	KIT - Carrier Cover	-	707110X	707111X	707111X	707110X	707110X
11	Plug - Carrier Cover	16	43180	43181	43181	43180	43180
12	Spacer - Differential Bearing	20	-	47252- (6)	47252- (6)	47252- (6)	47252- (6)
13	PKG - Diff Bearing Shim (inc 15)	22	706086X	-	-	-	-
14	Bolt - Drive Gear/Package	24	701124X	701071-10	701071-10	701071-10	701071-10
15	KIT - Unit Bearing and Seal	-	708174	708174	708174	708174	707374-1X
16	Oil Seal Retainer	36	51762	51762	51762	51762	47160
17	Bolt - Wheel	38	45712-2	45712-1	45712-1	45712-1	45712-1
18	KIT - Diff Plate and Disc (t/l)	-	706352X	-	-	708203	708203
			606961	606988	606989	606998	607006
1	Inner Pinion Shim	3	-	-	44453- (6)	44453- (6)	-
2	PKG - Diff & Pinion Shim	-	706376X	706376X	-	-	706376X
3	PKG - Pinion Shim	-	706358X	706358X	708192	708192	706358X
4	Inner Pinion Shims	5	30210- (6)	30210- (6)	-	-	30210- (6)
5	Seal - Pinion Oil	9	50660	50660	50531	50660	50660
6	Oil Seal	10	-	-	47762	-	-
7	End Yoke	11	2-4-8141-1	2-4-8141-1	2-4-7791-1	2-4-8141-1	2-4-8141-1
8	Washer - Pinion Nut	12	30186	30186	-	30186	30186
9	Pinion Nut	13	30185	30185	50560	30185	30185
10	KIT - Carrier Cover	-	707110X	707110X	707111X	707110X	707110X
11	Plug - Carrier Cover	16	43180	43180	43181	43180	43180
12	Spacer - Differential Bearing	20	47252- (6)	47252- (6)	47252- (6)	47252- (6)	47252- (6)
13	PKG - Diff Bearing Shim (inc 15)	22	706086X	-	-	-	-
14	Bolt - Drive Gear/Package	24	701071-10	701071-10	701071-10	701071-10	701071-10
15	KIT - Unit Bearing and Seal	-	707374-1X	708174	708174	708174	707374-1X
16	Oil Seal Retainer	36	47160	51762	51762	51762	47160
17	Bolt - Wheel	38	45712-1	45712-1	45712-1	45712-1	45712-1
18	KIT - Diff Plate and Disc (t/l)	-	-	708203	-	708203	708203

(3) Contact Vehicle Manufacturer

(6) See Shim Table in the back of this catalog

Jeep Model 44 /216 Rear Variable Parts Listing

Kits & Parts - Use With All Applications							
Description & Item Number (Refer to "Exploded View" at the front of this section)			Bills of Material				
			607007	607008	607009	607011	607012
1	Inner Pinion Shim	3	-	-	44453- (6)	44453- (6)	44453- (6)
2	PKG - Diff & Pinion Shim	-	706376X	706376X	-	-	-
3	PKG - Pinion Shim	-	706358X	706358X	708192	708192	708192
4	Inner Pinion Shims	5	30210- (6)	30210- (6)	-	-	-
5	Seal - Pinion Oil	9	50660	50660	50531	50660	50660
6	Oil Seal	10	-	-	47762	-	-
7	End Yoke	11	2-4-8141-1	2-4-8141-1	2-4-7791-1	2-4-8141-1	2-4-8141-1
8	Washer - Pinion Nut	12	30186	30186	-	-	-
9	Pinion Nut	13	30185	30185	50560	50560	50560
10	KIT - Carrier Cover	-	707110X	707110X	707111X	707110X	707110X
11	Plug - Carrier Cover	16	43180	43180	43181	43180	43180
12	Spacer - Differential Bearing	20	47252- (6)	47252- (6)	47252- (6)	47252- (6)	47252- (6)
13	PKG - Diff Bearing Shim (inc 15)	22	-	-	-	-	-
14	Bolt - Drive Gear/Package	24	701071-10	701071-10	701071-10	701071-10	701071-10
15	KIT - Unit Bearing and Seal	-	707374-1X	708174	708174	708174	707374-1X
16	Oil Seal Retainer	36	47160	51762	51762	51762	47160
17	Bolt - Wheel	38	45712-1	45712-1	45712-1	45712-2	45712-1
18	KIT - Diff Plate and Disc (t/l)	-	-	708203	-	708203	-
			607015	607016			
1	Inner Pinion Shim	3	44453- (6)	44453- (6)			
2	PKG - Diff & Pinion Shim	-	-	-			
3	PKG - Pinion Shim	-	708192	708192			
4	Inner Pinion Shims	5	-	-			
5	Seal - Pinion Oil	9	50660	50660			
6	Oil Seal	10	-	-			
7	End Yoke	11	2-4-8141-1	2-4-8141-1			
8	Washer - Pinion Nut	12	-	-			
9	Pinion Nut	13	50560	50560			
10	KIT - Carrier Cover	-	707110X	707110X			
11	Plug - Carrier Cover	16	43180	43180			
12	Spacer - Differential Bearing	20	47252- (6)	47252- (6)			
13	PKG - Diff Bearing Shim (inc 15)	22	-	-			
14	Bolt - Drive Gear/Package	24	701071-10	701071-10			
15	KIT - Unit Bearing and Seal	-	707374-1X	707374-1X			
16	Oil Seal Retainer	36	47160	47160			
17	Bolt - Wheel	38	45712-1	45712-1			
18	KIT - Diff Plate and Disc (t/l)	-	708203	-			

(3) Contact Vehicle Manufacturer

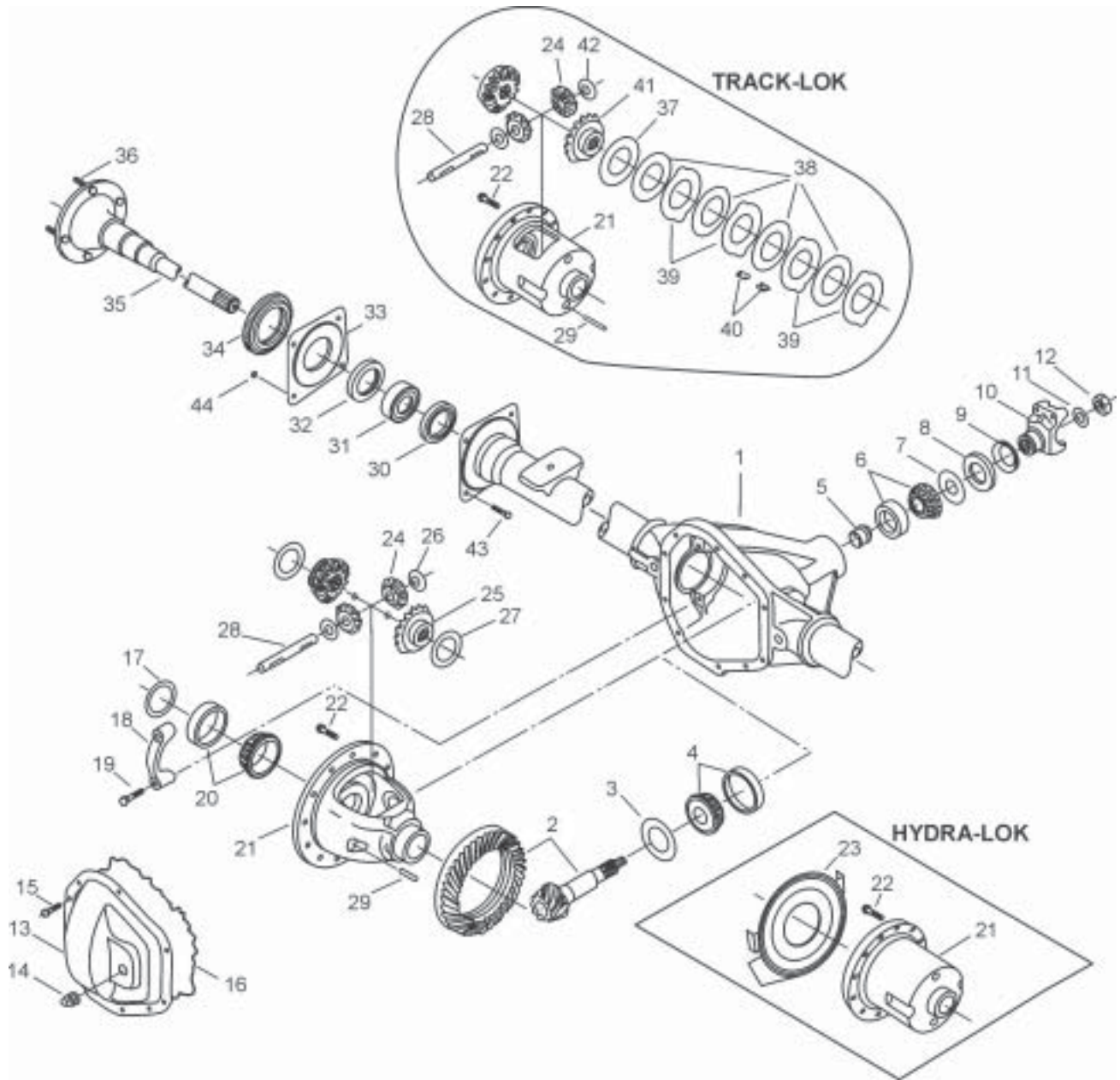
(6) See Shim Table in the back of this catalog

Jeep 1999-2003

Model Super 44 /226 Rear Axles for

WJ (Grand Cherokee)

Jeep Model Super 44 /226 Rear Exploded View



Jeep Model Super 44 /226 Rear Parts Listing

ITEM NO.	PART NUMBER	DESCRIPTION	ITEM NO.	PART NUMBER	DESCRIPTION
1	-(3)	Housing - Axle Service	19	41212	Bolt - Differential Bearing Cap
2	-(1)	Drive Pinion & Gear Assembly	20	706988X	KIT - Differential Bearing
3	-	Inner Pinion Shims	21	-(1)	Case - Differential (Hydra Lok - Serviced only as an assembled unit)
	72922-2X	PKG - Pinion Shim (.035 - .039)			
	72922-3X	PKG - Pinion Shim (.040 - .044)			
	72922-4X	PKG - Pinion Shim (.045 - .049)	22	-(2)	Bolt - Drive Gear
	72922-5X	PKG - Pinion Shim (.050 - .054)	23	52783	Plenum Assembly (h/l)
4	707064X	KIT - Inner Pinion Bearing	24	43809	Pinion - Differential (std or t/l)
5	43916	Collapsible Spacer	25	44270	Gear - Differential (std)
6	706123X	KIT - Outer Pinion Bearing	26	46948	Thrustwasher - Diff Pinion (std)
7	42737	Thrustwasher	27	32121	Thrustwasher - Diff Gear (std)
8	-(2)	Seal - Pinion Oil	28	43764	Shaft - Differential (std or t/l)
9	47886	Oil Seal	29	43765	Pin - Diff Shaft Lock (std or t/l)
10	-(2)	End Yoke	30	49766	Wheel Bearing Retainer
11	30275	Washer - Pinion Nut	31	566075	Wheel Bearing Assembly
12	30271	Pinion Nut	32	47787	Seal - Outboard Shaft
	707494-2X	KIT - Carrier Cover (inc 13,14,15)	33	76466X	Oil Seal Retainer
13	48174-2	Carrier Cover	34	-(4)	Tone Ring (ABS only)
14	51489	Plug - Carrier Cover	35	-(1)	Axle Shaft
15	34279	Bolt - Carrier Cover (qty 10)	36	49258	Bolt - Axle Shaft
16	38615	RTV Silicone Sealant		707018X	KIT - Diff Plate and Disc (t/l) (inc items 37, 38, 39, 40)
		PKG - Differential Shim			
17	702005-1	Diff Shim Pkg (.111 - .119)	37	-(4)	Plate - Preload Spacer
	702005-2	Diff Shim Pkg (.121 - .125)	38	-(4)	Disc - Differential
	702005-3	Diff Shim Pkg (.126 - .130)	39	-(4)	Plate - Differential Pressure
	702005-4	Diff Shim Pkg (.131 - .135)	40	40835	Clip - Diff Clutch Retainer
	702005-5	Diff Shim Pkg (.136 - .140)	41	44271	Gear - Differential (t/l)
	702005-6	Diff Shim Pkg (.141 - .145)	42	43810	Thrustwasher - Pinion (t/l)
	702005-7	Diff Shim Pkg (.147 - .155)	43	-(3)	Bolt - Brake Mounting
18	-(3)	Differential Bearing Cap	44	-(3)	Nut - Brake Mounting

- (1) See "Bill of Material Table" on next page
(2) See "Variable Parts Table" within this section
(3) Contact Vehicle Manufacturer
(4) Not Sold Separately

Jeep Model Super 44 /226 Rear Bill of Material Table

Axle			Axle Kits				Shaft & Joint Assy.	
Bill of Material	Diff. Type	Ratio	Ring Gear & Pinion Kit ⁽⁷⁾	Differential			Right Hand Shaft Assy.	Left Hand Shaft Assy.
				Case Assy. Kit ⁽⁸⁾	Case Kit	Inner Parts Kit		
1999 - 3/29/2000 WJ w/ABS (uses 3/8" ring gear bolts)								
606008-2	Standard	3.73	76542-5X	707382X	43771	707384X	76454-3X	76454-4X
606008-3	Trac Lok	3.73	76542-5X	707383X	43775	707385X	76454-3X	76454-4X
606008-4	Trac Lok	3.91	80186-5	707383X	43775	707385X	76454-3X	76454-4X
606061-3	Hydra Lok	3.73	76542-5X	76740X	-	-	76454-1X	76454-2X
606061-4	Hydra Lok	3.91	80186-5	76740X	-	-	76454-1X	76454-2X
606186-1	Hydra Lok	3.91	80186-5	76740X	-	-	76454-1X	76454-2X
606187-1	Standard	3.91	80186-5	707382X	43771	707384X	76454-3X	76454-4X
3/29/2000 thru 12/2000 WJ w/ABS (uses 7/16" ring gear bolts)								
606008-2	Standard	3.73	84212-5	708107	51256	707384X	76454-3X	76454-4X
606008-3	Trac Lok	3.73	84212-5	708108	51257	707385X	76454-3X	76454-4X
606061-1	Hydra Lok	3.55	84073-5	84084	-	-	76454-1X	76454-2X
606061-2	Hydra Lok	3.73	84212-5	84084	-	-	76454-1X	76454-2X
606186-1	Hydra Lok	3.91	84213-5	84084	-	-	76454-1X	76454-2X
606187-1	Standard	3.91	84213-5	708107	51256	707384X	76454-3X	76454-4X
2001 WJ w/ABS								
606552-3	Standard	3.73	84212-5	708107	51256	707384X	76454-3X	76454-4X
606552-7	Trac Lok	3.73	84212-5	708108	51257	707385X	76454-3X	76454-4X
606553-4	Hydra Lok	3.91	84213-5	84084	-	-	76454-1X	76454-2X
606554-4	Standard	3.91	84213-5	708107	51256	707384X	76454-3X	76454-4X
606555-3	Hydra Lok	3.73	84212-5	84084	-	-	76454-1X	76454-2X
2002 WJ w/ABS								
606507	Hydra Lok	3.91	84213-5	84084	-	-	76454-1X	76454-2X
2003 WJ w/ABS								
606970-3	Standard	3.73	84212-5	708107	51256	707384X	76454-3X	76454-4X
606971-3	Hydra Lok	3.73	84212-5	84084	-	-	76454-1X	76454-2X

NOTE: All Ring & Pinion Kits with base number 706930 are reverse spiral bevel
 (7) See Ring Gear & Pinion Kits in XGI Catalog for ratio & tooth combinations.
 (8) See Differential Case Assy Kits in XGI Catalog for spline data & ratios.

Variable Parts Listing

Kits & Parts - Use With All Applications							
Description & Item Number (Refer to the "Exploded View" at the front of this section)			Bills of Material				
			606008 606061	606186 606187	606507 606552	606553 606554	606555 606970 606971
1	Seal - Pinion Oil	8	47885	47885	50574	50574	50574
2	End Yoke	10	2-4-6541-1(3)	2-1-2961(3)	2-4-6541-1(3)	2-1-2961	2-4-6541-1
3	Bolt - Drive Gear	22	(9)	(9)	701071-10	701071-10	701071-10

(9) If built before 3/29/2000, uses Drive Gear Bolt 45784; If built after 3/29/2000, uses Drive Gear Bolt package 701071-10;

Shim Table

Model Super 30/186 KJ		
Part Number	Nominal	
	MM	Inch
50615		
50615-165	1.65	0.065
50615-163	1.63	0.064
50615-160	1.60	0.063
50615-158	1.58	0.062
50615-155	1.55	0.061
50615-152	1.52	0.060
50615-150	1.50	0.059
* 50615-147	1.47	0.058
* 50615-145	1.45	0.057
* 50615-142	1.42	0.056
* 50615-140	1.40	0.055
* 50615-137	1.37	0.054
* 50615-135	1.35	0.053
* 50615-132	1.32	0.052
* 50615-130	1.30	0.051
* 50615-127	1.27	0.050
* 50615-124	1.24	0.049
* 50615-122	1.22	0.048
* 50615-119	1.19	0.047
* 50615-117	1.17	0.046
* 50615-114	1.14	0.045
* 50615-112	1.12	0.044
* 50615-109	1.09	0.043
* 50615-107	1.07	0.042
* 50615-104	1.04	0.041
* 50615-102	1.02	0.040
* 50615-99	0.99	0.039
* 50615-97	0.97	0.038
* 50615-94	0.94	0.037
* 50615-91	0.91	0.036
* 50615-89	0.89	0.035
* 50615-86	0.86	0.034
50615-84	0.84	0.033
50615-81	0.81	0.032
50615-79	0.79	0.031
50615-76	0.76	0.030
50615-74	0.74	0.029
50615-71	0.71	0.028
50615-69	0.69	0.027

* Included in 703007

Models 30/181 & Super 30/186		
Part Number	Nominal	
	MM	Inch
49634		
49634-47	2.13	0.084
49634-46	2.11	0.083
49634-45	2.08	0.082
49634-44	2.06	0.081
49634-43	2.03	0.080
49634-42	2.01	0.079
49634-41	1.98	0.078
49634-40	1.96	0.077
49634-39	1.93	0.076
49634-38	1.91	0.075
49634-37	1.88	0.074
49634-36	1.85	0.073
49634-35	1.83	0.072
49634-34	1.80	0.071
49634-33	1.78	0.070
49634-32	1.75	0.069
49634-31	1.73	0.068
49634-30	1.70	0.067
49634-29	1.68	0.066
49634-28	1.65	0.065
49634-27	1.63	0.064
49634-26	1.60	0.063
49634-25	1.57	0.062
49634-24	1.55	0.061
49634-23	1.52	0.060
49634-22	1.50	0.059
49634-21	1.47	0.058
49634-20	1.45	0.057
49634-19	1.42	0.056
49634-18	1.40	0.055
49634-17	1.37	0.054
49634-16	1.35	0.053
49634-15	1.32	0.052
49634-14	1.30	0.051
49634-13	1.27	0.050
49634-12	1.24	0.049
49634-11	1.22	0.048
49634-10	1.19	0.047
49634-9	1.17	0.046
49634-8	1.14	0.045
49634-7	1.12	0.044
49634-6	1.09	0.043
49634-5	1.07	0.042
49634-4	1.04	0.041
49634-3	1.02	0.040
49634-2	0.99	0.039
49634-1	0.97	0.038

Model Super 30/186		
Part Number	Nominal	
	MM	Inch
49036		
49036-371	3.71	0.146
49036-368	3.68	0.145
49036-366	3.65	0.144
49036-363	3.63	0.143
49036-361	3.61	0.142
49036-358	3.58	0.141
49036-356	3.56	0.140
49036-353	3.53	0.139
* 49036-351	3.51	0.138
49036-348	3.48	0.137
* 49036-345	3.45	0.136
49036-343	3.43	0.135
* 49036-340	3.40	0.134
49036-338	3.38	0.133
* 49036-335	3.35	0.132
49036-333	3.33	0.131
* 49036-330	3.30	0.130
49036-328	3.28	0.129
* 49036-325	3.25	0.128
49036-323	3.23	0.127
* 49036-320	3.20	0.126
49036-318	3.18	0.125
* 49036-315	3.15	0.124
49036-312	3.12	0.123
* 49036-310	3.10	0.122
49036-307	3.07	0.121
* 49036-305	3.05	0.120
49036-302	3.02	0.119
* 49036-300	3.00	0.118
49036-297	2.97	0.117
49036-295	2.95	0.116
49036-292	2.92	0.115
49036-290	2.90	0.114
49036-287	2.87	0.113
49036-284	2.84	0.112
49036-282	2.82	0.111
49036-279	2.79	0.110

* Included in 701173X

Shim Table

Model Super 30/186		
Part Number	Nominal	
	MM	Inch
50615		
* 50615-147	1.47	0.058
* 50615-145	1.45	0.057
* 50615-142	1.42	0.056
* 50615-140	1.40	0.055
* 50615-137	1.37	0.054
* 50615-135	1.35	0.053
* 50615-132	1.32	0.052
* 50615-130	1.30	0.051
* 50615-127	1.27	0.050
* 50615-124	1.24	0.049
* 50615-122	1.22	0.048
* 50615-119	1.19	0.047
* 50615-117	1.17	0.046
* 50615-114	1.14	0.045
* 50615-112	1.12	0.044
* 50615-109	1.09	0.043
* 50615-107	1.07	0.042
* 50615-104	1.04	0.041
* 50615-102	1.02	0.040
* 50615-99	0.99	0.039
* 50615-97	0.97	0.038
* 50615-94	0.94	0.037
* 50615-91	0.91	0.036
* 50615-89	0.89	0.035
* 50615-86	0.86	0.034

* Included in 703007

Model Super 30/186		
Part Number	Nominal	
	MM	Inch
51094		
51094-180	1.803	0.0710
51094-179	1.791	0.0705
51094-178	1.778	0.0700
51094-177	1.765	0.0695
51094-175	1.753	0.0690
51094-174	1.740	0.0685
51094-173	1.727	0.0680
51094-171	1.714	0.0675
51094-170	1.702	0.0670
51094-169	1.689	0.0665
51094-168	1.676	0.0660
51094-166	1.664	0.0655
51094-165	1.651	0.0650
51094-164	1.638	0.0645
51094-163	1.626	0.0640
51094-161	1.613	0.0635
51094-160	1.600	0.0630
51094-159	1.588	0.0625
51094-157	1.575	0.0620
51094-156	1.562	0.0615
51094-155	1.549	0.0610
51094-154	1.537	0.0605
51094-152	1.524	0.0600
51094-151	1.511	0.0595
51094-150	1.499	0.0590
51094-149	1.486	0.0585
51094-147	1.473	0.0580
51094-146	1.461	0.0575
51094-145	1.448	0.0570
51094-144	1.435	0.0565
51094-142	1.422	0.0560
51094-141	1.410	0.0555
51094-140	1.397	0.0550
51094-138	1.384	0.0545
51094-137	1.371	0.0540
51094-136	1.359	0.0535
51094-135	1.346	0.0530
51094-133	1.334	0.0525
51094-132	1.321	0.0520

Models 35/194		
Part Number	Nominal	
	MM	Inch
41459		
41459-6	0.89	0.035
41459-7	0.91	0.036
41459-8	0.94	0.037
41459-9	0.97	0.038
41459-10	0.99	0.039
41459-11	1.02	0.040
41459-12	1.04	0.041
41459-13	1.07	0.042
41459-14	1.09	0.043
41459-15	1.12	0.044
41459-16	1.14	0.045
41459-17	1.17	0.046
41459-18	1.19	0.047
41459-19	1.22	0.048
41459-20	1.24	0.049
41459-21	1.27	0.050
41459-22	1.30	0.051
41459-23	1.32	0.052
41459-24	1.35	0.053
41459-25	1.37	0.054
41459-26	0.51	0.020
41459-27	0.63	0.021

Shim Table

Models Super 35/198 & 35/194		
Part Number	Nominal	
	MM	Inch
42104-49	4.65	0.183
42104-48	4.62	0.182
42104-47	4.60	0.181
42104-46	4.57	0.180
42104-45	4.55	0.179
42104-35	4.52	0.178
42104-34	4.50	0.177
42104-33	4.47	0.176
42104-32	4.45	0.175
* 42104-31	4.42	0.174
42104-30	4.39	0.173
* 42104-29	4.37	0.172
42104-28	4.34	0.171
* 42104-27	4.32	0.170
42104-26	4.29	0.169
* 42104-25	4.27	0.168
42104-24	4.24	0.167
* 42104-23	4.22	0.166
42104-22	4.19	0.165
* 42104-21	4.17	0.164
42104-20	4.14	0.163
* 42104-19	4.11	0.162
42104-18	4.09	0.161
* 42104-17	4.06	0.160
42104-16	4.04	0.159
* 42104-15	4.01	0.158
42104-14	3.99	0.157
* 42104-13	3.96	0.156
42104-12	3.94	0.155
* 42104-11	3.91	0.154
42104-10	3.89	0.153
* 42104-9	3.86	0.152
42104-8	3.84	0.151
* 42104-7	3.81	0.150
42104-6	3.78	0.149
* 42104-5	3.76	0.148
42104-4	3.73	0.147
* 42104-3	3.71	0.146
42104-2	3.68	0.145
* 42104-1	3.66	0.144

* Included in 73139X

Model 44/216		
Part Number	Nominal	
	MM	Inch
30210-1	0.08	0.003
30210-1	0.13	0.005
30210-1	0.25	0.010

Model 44/216		
Part Number	Nominal	
	MM	Inch
* 41316-9	0.76	0.030
* 41316-8	0.58	0.023
* 41316-7	0.56	0.022
* 41316-6	0.53	0.021
* 41316-5	0.51	0.020
* 41316-4	0.46	0.018
* 41316-3	0.41	0.016
* 41316-2	0.38	0.015
* 41316-1	0.36	0.014

* Included in 72921X

Model 44/216		
Part Number	Nominal	
	MM	Inch
47252-386	3.86	0.152
47252-384	3.84	0.151
47252-381	3.81	0.150
47252-378	3.78	0.149
* 47252-376	3.76	0.148
47252-373	3.73	0.147
47252-371	3.71	0.146
* 47252-368	3.68	0.145
47252-366	3.66	0.144
* 47252-363	3.63	0.143
47252-361	3.61	0.142
* 47252-358	3.58	0.141
47252-356	3.56	0.140
47252-353	3.53	0.139
* 47252-350	3.51	0.138
47252-348	3.48	0.137
47252-345	3.45	0.136
* 47252-343	3.43	0.135
47252-340	3.40	0.134
47252-338	3.38	0.133
* 47252-335	3.35	0.132
47252-333	3.33	0.131
47252-330	3.30	0.130
* 47252-328	3.28	0.129
47252-325	3.25	0.128
47252-323	3.23	0.127
* 47252-320	3.20	0.126
47252-318	3.18	0.125
47252-315	3.15	0.124
* 47252-312	3.12	0.123
47252-310	3.10	0.122
47252-307	3.07	0.121
47252-305	3.05	0.120
47252-302	3.02	0.119
47252-300	3.00	0.118
47252-297	2.97	0.117

* Included in 701149X (708193)

Shim Table

Model 44/216		
Part Number	Nominal	
	MM	Inch
44453		
44453-198	1.98	0.078
44453-196	1.96	0.077
44453-193	1.93	0.076
44453-191	1.91	0.075
44453-188	1.88	0.074
* 44453-185	1.85	0.073
44453-183	1.83	0.072
* 44453-180	1.8	0.071
44453-178	1.78	0.070
* 44453-175	1.75	0.069
44453-173	1.73	0.068
* 44453-170	1.7	0.067
44453-168	1.68	0.066
* 44453-165	1.65	0.065
44453-163	1.63	0.064
* 44453-160	1.6	0.063
44453-157	1.57	0.062
* 44453-155	1.55	0.061
44453-152	1.52	0.060
* 44453-150	1.5	0.059
44453-147	1.47	0.058
* 44453-145	1.45	0.057
44453-142	1.42	0.056
* 44453-140	1.4	0.055
44453-137	1.37	0.054
* 44453-135	1.35	0.053

* Included in 701112X

Model 44/216		
Part Number	Nominal	
	MM	Inch
44035		
44035-29	1.68	0.066
44035-28	1.65	0.065
44035-27	1.63	0.064
44035-26	1.60	0.063
44035-25	1.57	0.062
44035-24	1.55	0.061
44035-23	1.52	0.060
44035-22	1.50	0.059
44035-21	1.47	0.058
44035-20	1.45	0.057
44035-19	1.42	0.056
44035-18	1.40	0.055
44035-17	1.37	0.054
44035-16	1.35	0.053
44035-15	1.32	0.052
44035-14	1.30	0.051
44035-13	1.27	0.050
44035-12	1.24	0.049

Model Super 44/226		
Part Number	Nominal	
	MM	Inch
46582		
⁽¹⁾ 46582-394	3.94	0.155
46582-391	3.91	0.154
⁽¹⁾⁽⁸⁾ 46582-389	3.89	0.153
46582-386	3.86	0.152
⁽¹⁾ 46582-384	3.84	0.151
⁽⁸⁾ 46582-381	3.81	0.150
⁽¹⁾ 46582-378	3.78	0.149
46582-376	3.76	0.148
⁽¹⁾⁽⁸⁾ 46582-373	3.73	0.147
46582-371	3.71	0.146
⁽²⁾ 46582-368	3.68	0.145
⁽²⁾⁽⁸⁾ 46582-366	3.66	0.144
⁽²⁾ 46582-363	3.63	0.143
⁽²⁾ 46582-361	3.61	0.142
⁽²⁾⁽⁸⁾ 46582-358	3.58	0.141
⁽³⁾ 46582-356	3.56	0.140
⁽³⁾ 46582-353	3.53	0.139
⁽³⁾⁽⁹⁾ 46582-351	3.51	0.138
⁽³⁾ 46582-348	3.48	0.137
⁽³⁾ 46582-345	3.45	0.136
⁽⁴⁾⁽⁹⁾ 46582-343	3.43	0.135
⁽⁴⁾ 46582-340	3.40	0.134
⁽⁴⁾ 46582-338	3.38	0.133
⁽⁴⁾⁽⁹⁾ 46582-335	3.35	0.132
⁽⁴⁾ 46582-333	3.33	0.131
⁽⁵⁾ 46582-330	3.30	0.130
⁽⁵⁾⁽⁹⁾ 46582-328	3.28	0.129
⁽⁵⁾ 46582-325	3.25	0.128
⁽⁵⁾ 46582-323	3.23	0.127
⁽⁵⁾⁽⁹⁾ 46582-320	3.20	0.126
⁽⁶⁾ 46582-318	3.18	0.125
⁽⁶⁾ 46582-315	3.15	0.124
⁽⁶⁾⁽¹⁰⁾ 46582-312	3.12	0.123
⁽⁶⁾ 46582-310	3.10	0.122
⁽⁶⁾ 46582-307	3.07	0.121
⁽¹⁰⁾ 46582-305	3.05	0.120
⁽⁷⁾ 46582-302	3.02	0.119
46582-300	3.00	0.118
⁽⁷⁾⁽¹⁰⁾ 46582-297	2.97	0.117
46582-295	2.95	0.116
⁽⁷⁾ 46582-292	2.92	0.115
⁽¹⁰⁾ 46582-290	2.90	0.114
⁽⁷⁾ 46582-287	2.87	0.113
46582-284	2.84	0.112
⁽⁷⁾⁽¹⁰⁾ 46582-282	2.81	0.111

Notes - - Included in Kit:

- | | |
|--------------|----------------|
| (1) 702005-7 | (6) 702005-2 |
| (2) 702005-6 | (7) 702005-1 |
| (3) 702005-5 | (8) 701174-3X |
| (4) 702005-4 | (9) 701174-2X |
| (5) 702005-3 | (10) 701174-1X |

Model Super 44/226		
Part Number	Nominal	
	MM	Inch
(1) 41214-25	1.37	.054
(1) 41214-24	1.35	.053
(1) 41214-23	1.32	.052
(1) 41214-22	1.30	.051
(1) 41214-21	1.27	.050
(2) 41214-20	1.24	.049
(2) 41214-19	1.22	.048
(2) 41214-18	1.19	.047
(2) 41214-17	1.17	.046
(2) 41214-16	1.14	.045
(3) 41214-15	1.12	.044
(3) 41214-14	1.09	.043
(3) 41214-13	1.07	.042
(3) 41214-12	1.04	.041
(3) 41214-11	1.02	.040
(4) 41214-10	0.99	.039
(4) 41214-9	0.97	.038
(4) 41214-8	0.94	.037
(4) 41214-7	0.91	.036
(4) 41214-6	0.89	.035

(1) Included in 72922-5X

(2) Included in 72922-4X

(3) Included in 72922-3X

(4) Included in 72922-2X

CATALOG COMMENT FORM



Dana Corporation strives to publish catalogs that are as accurate and user-friendly as possible. Continuous improvement is our ongoing mission. Therefore, we welcome any and all of our customers' comments. Please forward your comments with any suggested improvements or corrections to our Catalog Department via Fax or mail.

Fax: Product Management / Catalog Department
(419) 866-3924

Mail: Dana Corporation
Heavy Vehicle Technologies and Systems Service
Attn: Product Management / Catalog Department
PO Box 321
Toledo, OH 43697-0321

Comments and Suggested Improvement/Corrections	Page Number	Part Number



Dana Corporation
Heavy Vehicle Technologies &
Systems Service
PO Box 321
Toledo, Ohio 43697-0321
1-800-SAY-DANA (729-3262)

Dana Corporation
Heavy Vehicle Technologies &
Systems Service - Canada
5095 South Service Road
Beamsville, Ontario LOR 1B0
Tech Service: (905) 563-4991

Dana Corporation
Heavy Vehicle Technologies &
Systems Service - International
(419) 861-6325

www.dana.com
www.spicerparts.com
www2.dana.com/expert